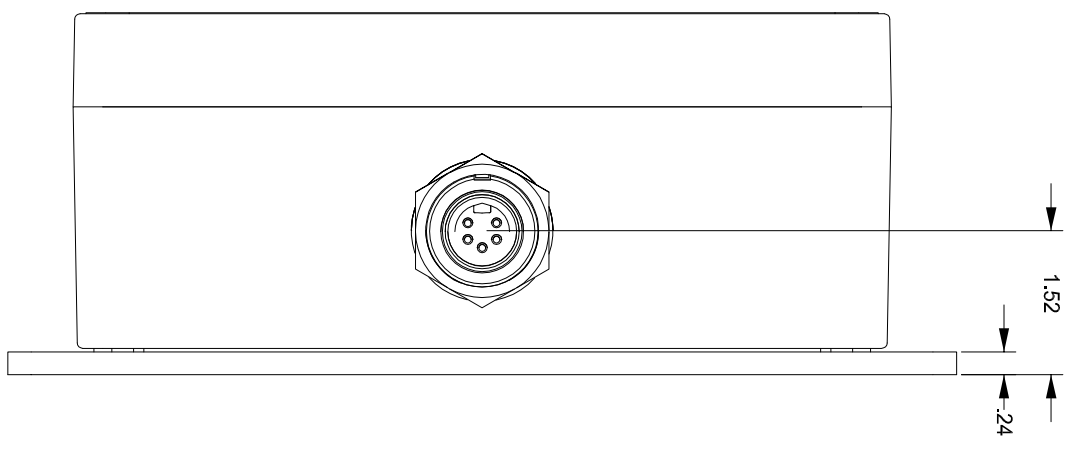
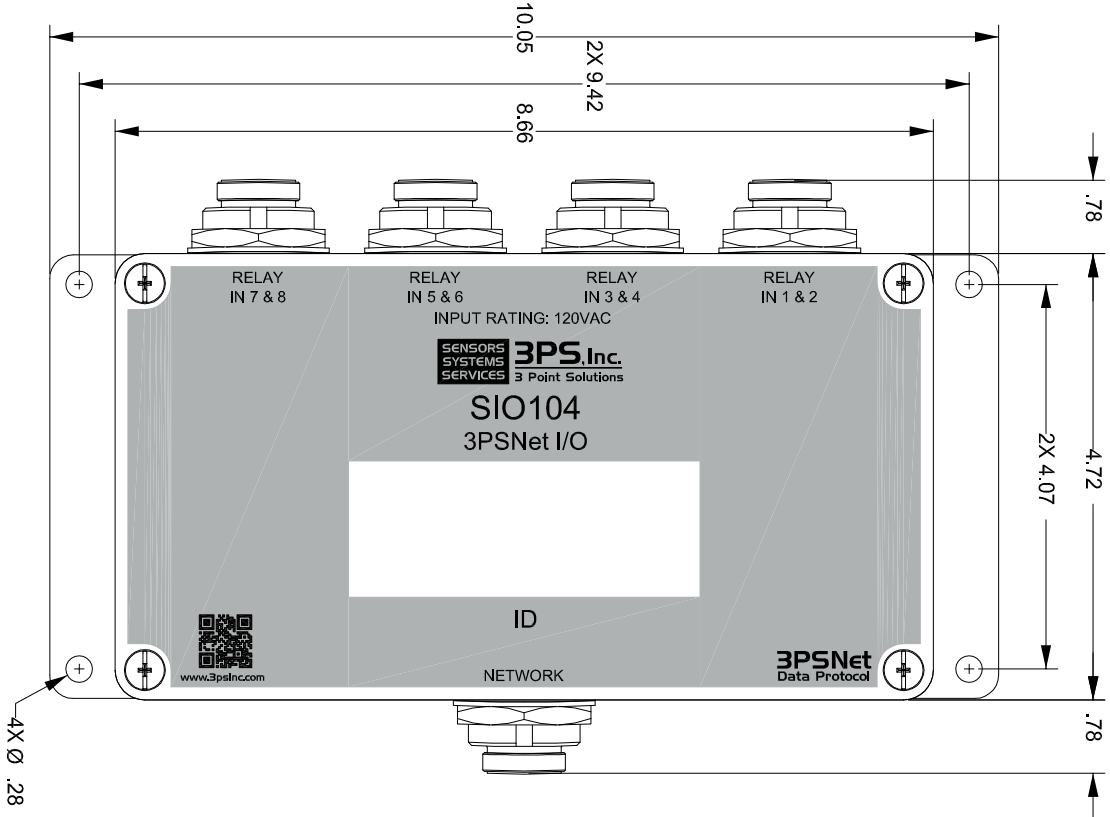
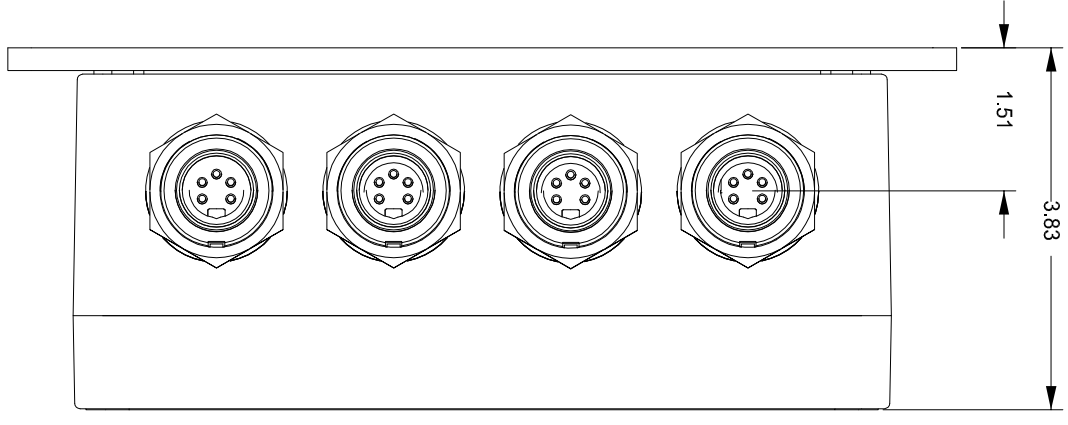


SPECIFICATIONS:		REVISONS			
1. GENERAL:	1.1 PROVIDES EIGHT CONFIGURABLE MECHANICAL RELAY OUTPUTS	REV	DESCRIPTION	APPROVED	DATE
2. ELECTRICAL:	2.1 INPUT POWER: 9 - 30VDC	A	INITIAL RELEASE	R CHISM	07/08/13
2.2 RELAYS:	COILS RATED FOR 120VAC				
2.3 DIGITAL CONTROL:	VIA 3PS DATA NETWORK				
3. ENVIRONMENTAL:	3.1 OPERATIONAL TEMPERATURE: -40 TO +65°C				
3.2 PROTECTION:	OUTDOOR USE; NEMA 4X; IP66 WATERTIGHT				
3.3 CAUTION:	SAFE AREA USE ONLY				
4. MECHANICAL:	4.1 300 SERIES STAINLESS STEEL MOUNTING PLATE				
4.2 WEIGHT:	APPROXIMATELY 5.5 LBS				
4.3 CAUTION:	DO NOT OPERATE OPEN OR SERVICE WHEN A HAZARDOUS ATMOSPHERE IS PRESENT				

- GENERAL:
 - PROVIDES EIGHT CONFIGURABLE MECHANICAL RELAY OUTPUTS
- ELECTRICAL:
 - INPUT POWER: 9 - 30VDC
 - RELAYS: COILS RATED FOR 120VAC
 - DIGITAL CONTROL VIA 3PS DATA NETWORK
- ENVIRONMENTAL:
 - OPERATIONAL TEMPERATURE: -40 TO +65°C
 - PROTECTION: OUTDOOR USE; NEMA 4X; IP66 WATERTIGHT
 - CAUTION: SAFE AREA USE ONLY
- MECHANICAL:
 - 300 SERIES STAINLESS STEEL MOUNTING PLATE
 - WEIGHT: APPROXIMATELY 5.5 LBS
 - CAUTION: DO NOT OPERATE OPEN OR SERVICE WHEN A HAZARDOUS ATMOSPHERE IS PRESENT

Pin Wiring Diagram

Connector	Pin	Name
Relay In 1 & 2	1	RLY 1 Coil + (Red)
Relay In 1 & 2	2	RLY 1 Coil - (Black)
Relay In 1 & 2	3	RLY 2 Coil + (Green)
Relay In 1 & 2	4	RLY 2 Coil - (White)
Relay In 3 & 4	1	RLY 3 Coil + (Red)
Relay In 3 & 4	2	RLY 3 Coil - (Black)
Relay In 3 & 4	3	RLY 4 Coil + (Green)
Relay In 3 & 4	4	RLY 4 Coil - (White)
Relay In 5 & 6	1	RLY 5 Coil + (Red)
Relay In 5 & 6	2	RLY 5 Coil - (Black)
Relay In 5 & 6	3	RLY 6 Coil + (Green)
Relay In 5 & 6	4	RLY 6 Coil - (White)
Relay In 7 & 8	1	RLY 7 Coil + (Red)
Relay In 7 & 8	2	RLY 7 Coil - (Black)
Relay In 7 & 8	3	RLY 8 Coil + (Green)
Relay In 7 & 8	4	RLY 8 Coil - (White)



SPECIFICATION DETAIL DRAWING

TOLERANCES (UNLESS OTHERWISE SPECIFIED)		DRAWN	J PILKINGTON	07/08/13	SENSORS SYSTEMS SERVICES 3 Point Solutions 1300 Arrow Point Dr. Cedar Park, TX
HOLE:	+ .006	CHECKED	R CHISM	07/08/13	
DECIMAL:	XXX: ± .005	RELEASED	R CHISM	07/08/13	
ANGLE:	XX: ± .01	UNLESS OTHERWISE SPECIFIED ALL DIMENSIONS ARE IN INCHES, MILLIMETERS IN BRACKETS.			
ROUNDS:	X: ± .1	REMOVE ALL BURRS, BREAK SHARP EDGES R.015 MAX. INSIDE CORNER RADI .015 MAX.			
THIRD ANGLE PROJECTION	JUNCTION BOX, SWITCH TO 3PSNet, 120VAC RELAYS CAGE CODE: JBA9999-00009-0 DRAWING NO: 1MHK2 SCALE: 1:1 DO NOT SCALE DRAWING				

EXPORT COMPLIANCE: TRANSFER OF 3PS DATA (DOCUMENTS, SOFTWARE, DRAWINGS, SPECS, ETC.) BY ANY MEANS TO A FOREIGN PERSON OR ENTITY, WHETHER IN THE UNITED STATES OR ABROAD, MAY REQUIRE U.S. GOVERNMENT AUTHORIZATION.

© 2013 BY 3PS, INC.
 NOTICE: THE INFORMATION CONTAINED HEREIN IS CONFIDENTIAL AND PROPRIETARY INFORMATION AND AS SUCH CANNOT BE COPIED OR DISCLOSED TO OTHERS WITHOUT THE PRIOR WRITTEN CONSENT OF 3PS, INC.