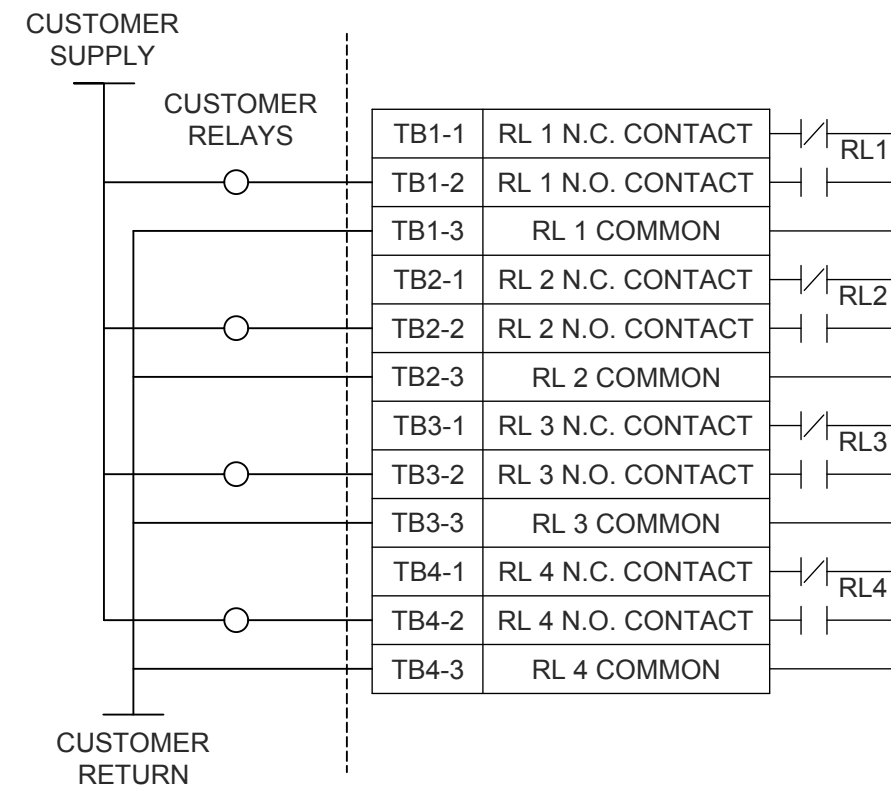


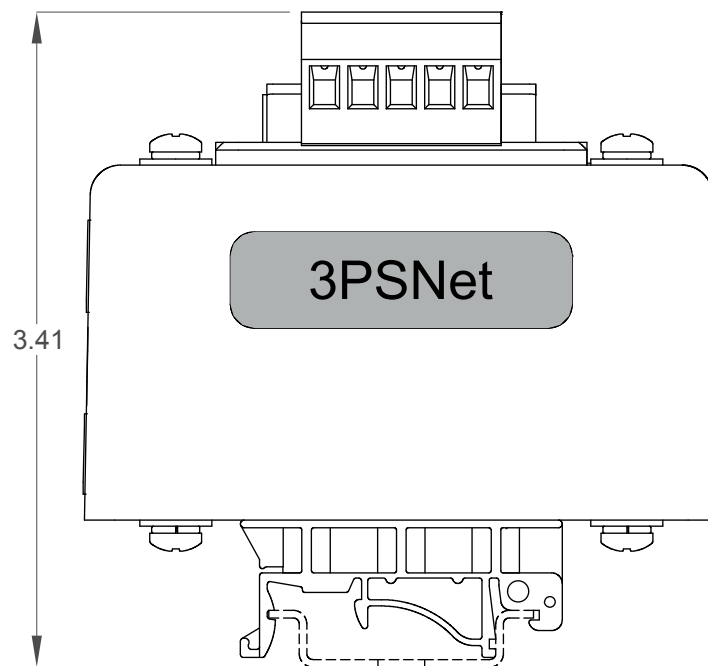
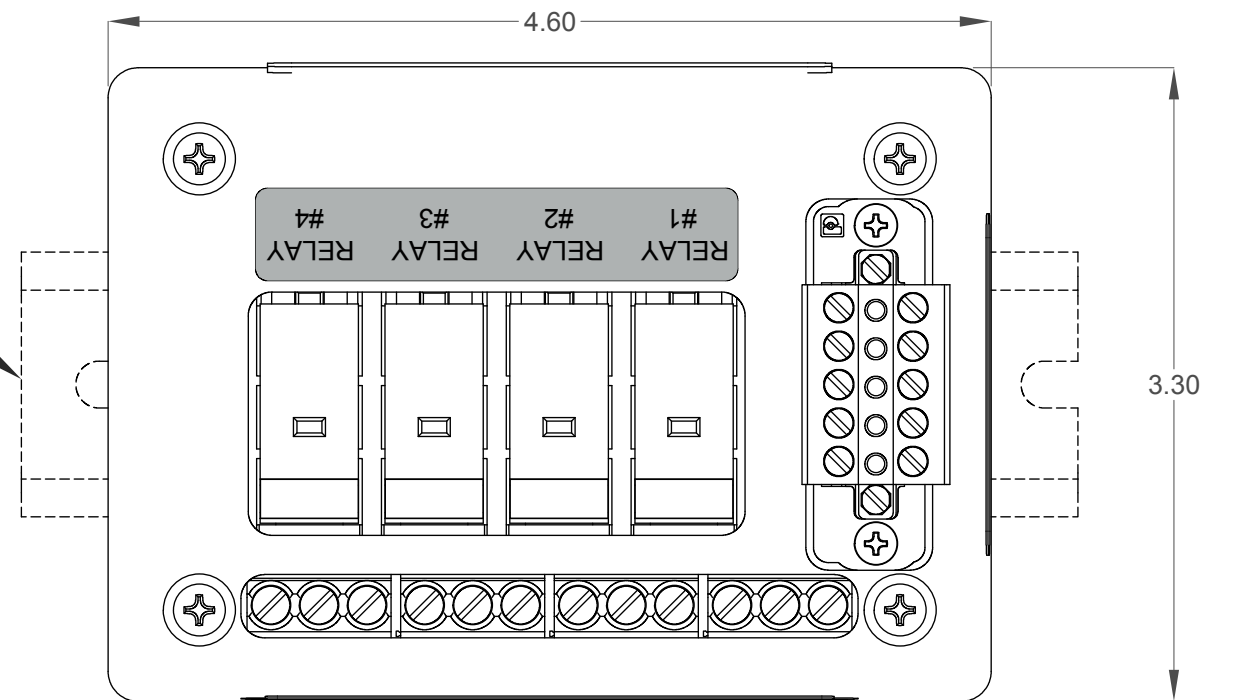
SPECIFICATIONS:

1. GENERAL:
 - 1.1 PROVIDES FOUR CONFIGURABLE MECHANICAL RELAY OUTPUTS
2. ELECTRICAL:
 - 2.1 INPUT POWER: 9 - 30VDC
 - 2.2 RELAYS: CONTACTS RATED FOR 30VDC / 240VAG @ 10 AMPS.
 - 2.3 DIGITAL CONTROL VIA 3PS DATA NETWORK
3. ENVIRONMENTAL:
 - 3.1 OPERATIONAL TEMPERATURE: -40 TO +65°C
 - 3.2 PROTECTION: TO BE INSTALLED IN A NEMA 4X, IP66 WATERTIGHT ENCLOSURE
 - 3.3 CAUTION: SAFE AREA USE ONLY
4. MECHANICAL:
 - 4.1 HIGH IMPACT URETHANE HOUSING.

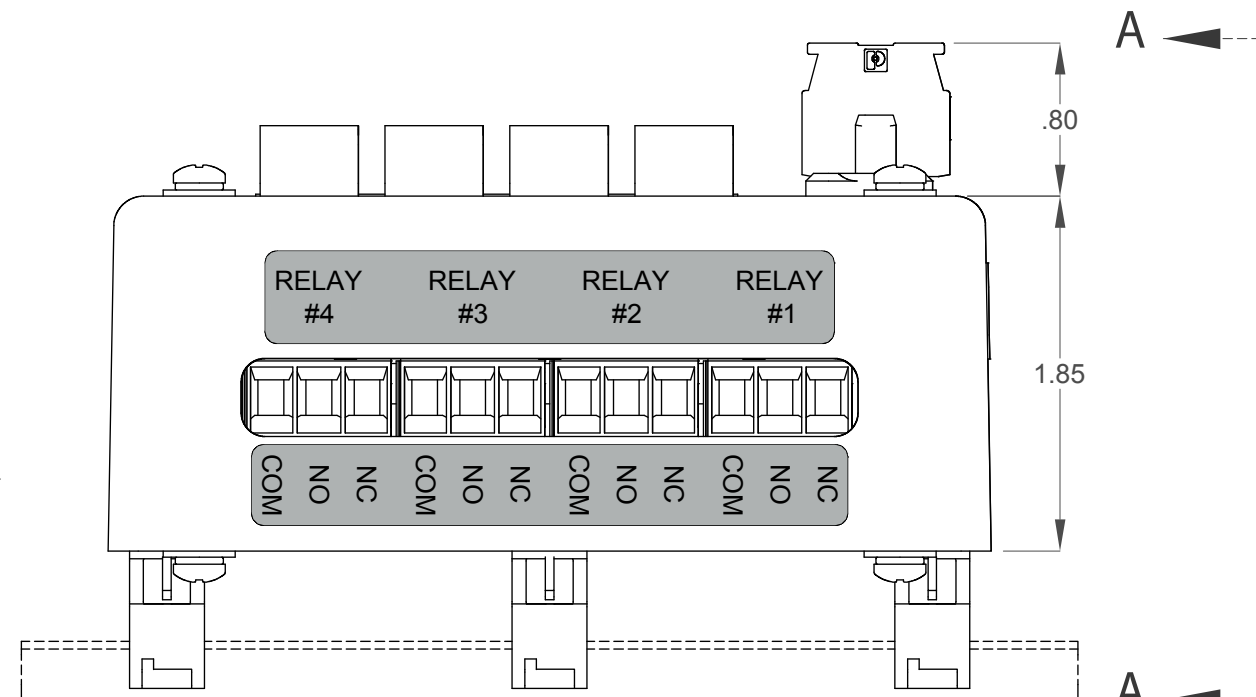
| REVISIONS | | | | |
|-----------|-----------------|------------|----------|----------|
| REV | DESCRIPTION | CHANGED BY | APPROVED | DATE |
| A | INITIAL RELEASE | | R CHISM | 03/29/16 |



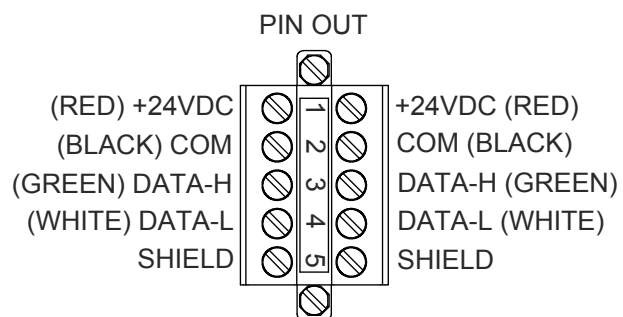
35mm DIN RAIL



VIEW A



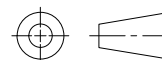
SPECIFICATION CONTROL DRAWING



EXPORT COMPLIANCE: TRANSFER OF 3PS DATA (DOCUMENTS, SOFTWARE, DRAWINGS, SPECS, ETC) BY ANY MEANS TO A FOREIGN PERSON OR ENTITY, WHETHER IN THE UNITED STATES OR ABROAD, MAY REQUIRE U.S. GOVERNMENT AUTHORIZATION.

© 2013 BY 3PS, INC.
THIS DOCUMENT MAY NOT BE COPIED OR REPRODUCED IN ANY WAY WITHOUT THE WRITTEN CONSENT OF 3PS, INC. 3PS, INC. OWNS ALL RIGHTS TO THIS WORK AND INTENDS TO ENFORCE ITS RIGHTS UNDER THE COPYRIGHT LAWS AS A PUBLISHED WORK.

THIRD ANGLE PROJECTION



TOLERANCES (UNLESS OTHERWISE SPECIFIED)

HOLE: +.006 / -.001

DECIMAL: .XXX: ±.005
DECIMAL: .XX: ±.01
DECIMAL: .X: ±.1
ANGLES: ±1°
SURFACE: 125
ROUGHNESS: ✓

REMOVE ALL BURRS.
BREAK SHARP EDGES
R.015 MAX. INSIDE
CORNER RADII .015 MAX.

DRAWN
D. PRIOR 03/29/16

CHECKED
R CHISM 03/29/16

RELEASED
R CHISM 03/29/16

UNLESS OTHERWISE SPECIFIED ALL DIMENSIONS ARE IN INCHES, MILLIMETERS IN BRACKETS.
DIMENSIONAL LIMITS APPLY AFTER FINISH/PLATING.



1300 Arrow Point Dr.
Cedar Park, TX

| | | | |
|---|-----------|----------------------|--------------|
| TITLE | | | |
| OPD, OVERLOAD PROTECTION DEVICE, 24 VDC | | | |
| SIZE | CAGE CODE | DRAWING NO | REV |
| B | 1MHK2 | OPD-0001-024-0 | A |
| SCALE | None | DO NOT SCALE DRAWING | SHEET 1 OF 1 |