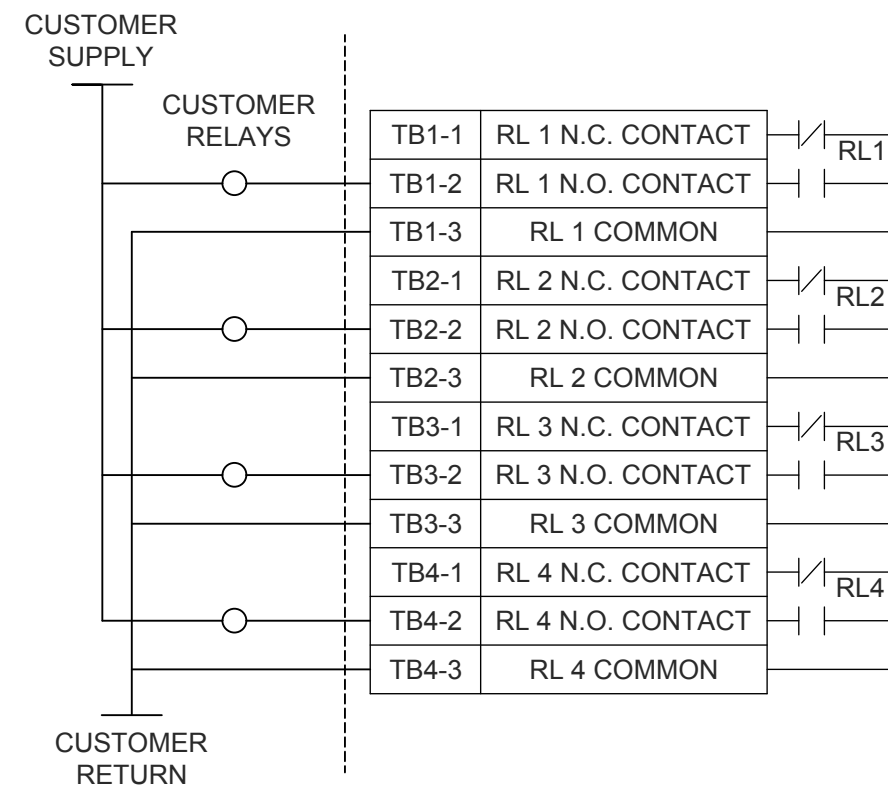
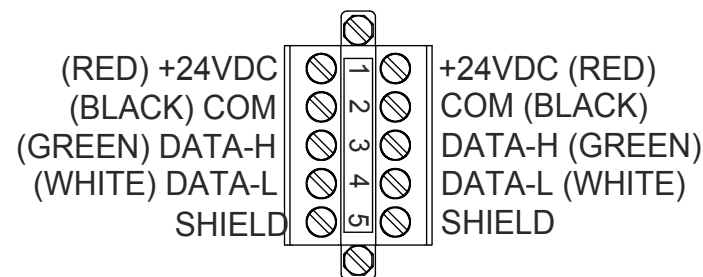


SPECIFICATIONS:

1. GENERAL:
 - 1.1 PROVIDES FOUR CONFIGURABLE MECHANICAL RELAY OUTPUTS
2. ELECTRICAL:
 - 2.1 INPUT POWER: 9 - 30VDC
 - 2.2 RELAYS: CONTACTS RATED FOR 10A@250VAC OR 30VDC
 - 2.3 DIGITAL CONTROL VIA 3PS DATA NETWORK
3. ENVIRONMENTAL:
 - 3.1 OPERATIONAL TEMPERATURE: -40 TO +65°C
 - 3.2 PROTECTION: MUST BE INSTALLED IN A ADEQUATE ENCLOSURE.
 - 3.3 CAUTION: SAFE AREA USE ONLY
4. MECHANICAL:
 - 4.1 HIGH IMPACT URETHANE HOUSING.

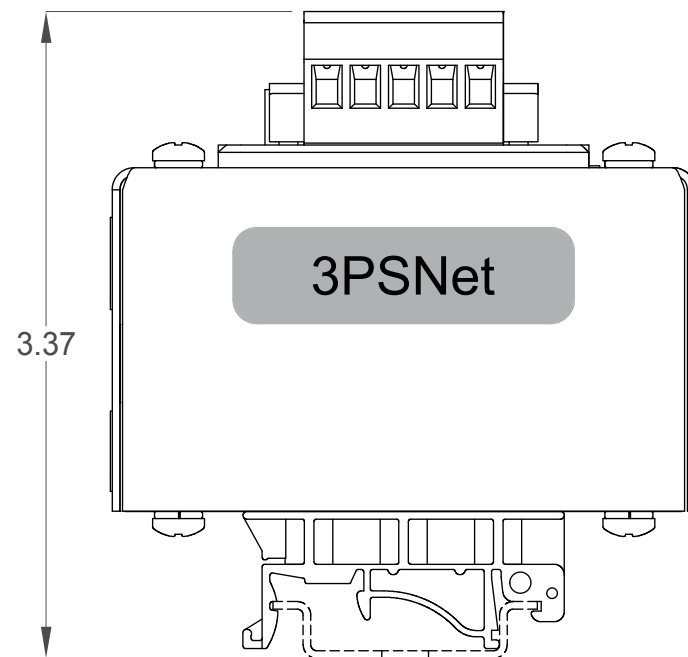
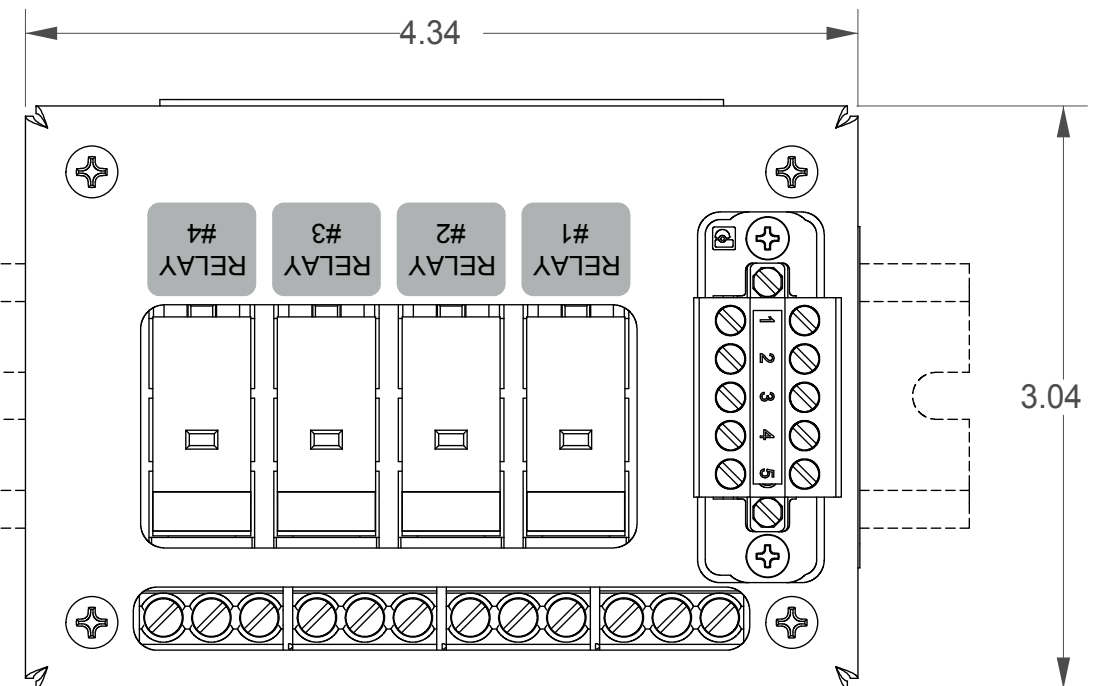


PIN OUT

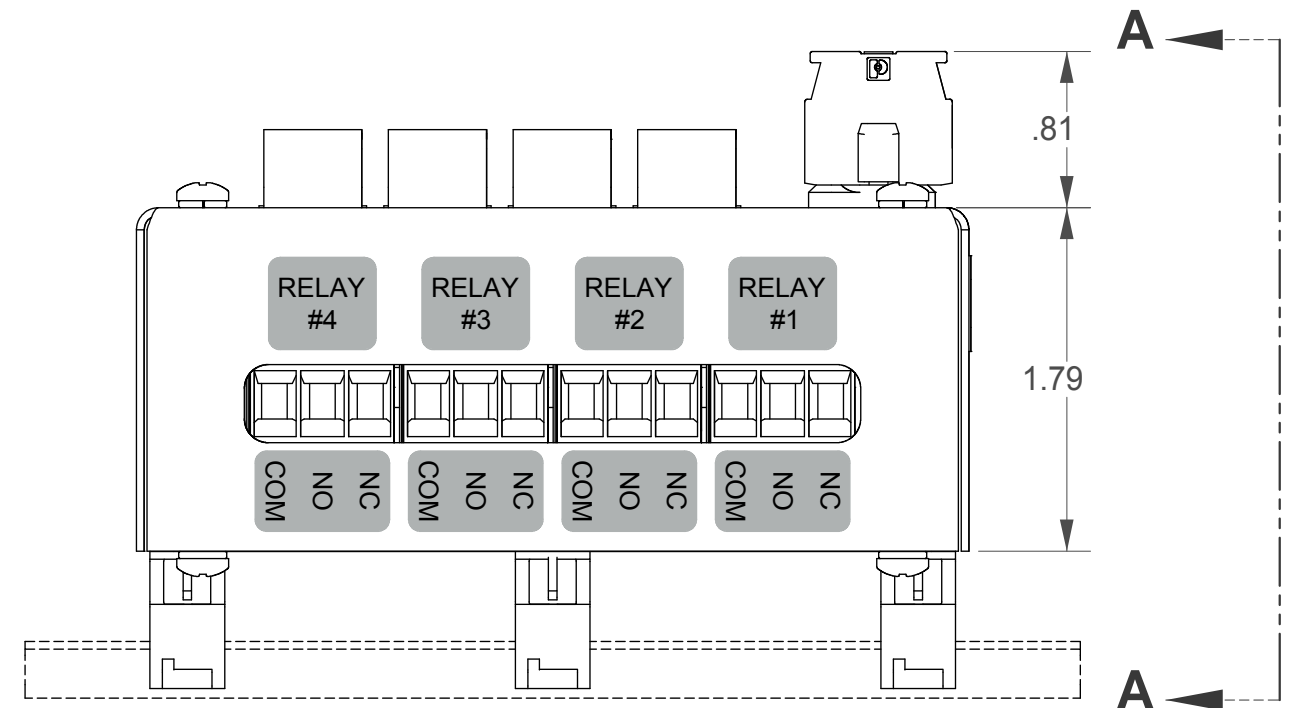


REVISIONS			
REV	DESCRIPTION	APPROVED	DATE
A	INITIAL RELEASE	R CHISM	03/29/16

35mm DIN RAIL



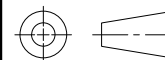
VIEW A



SPECIFICATION CONTROL DRAWING

EXPORT COMPLIANCE: TRANSFER OF 3PS DATA (DOCUMENTS, SOFTWARE, DRAWINGS, SPECS, ETC) BY ANY MEANS TO A FOREIGN PERSON OR ENTITY, WHETHER IN THE UNITED STATES OR ABROAD, MAY REQUIRE U.S. GOVERNMENT AUTHORIZATION.
 © 2013 BY 3PS, INC
 THIS DOCUMENT MAY NOT BE COPIED OR REPRODUCED IN ANY WAY WITHOUT THE WRITTEN CONSENT OF 3PS, INC. 3PS, INC. OWNS ALL RIGHTS TO THIS WORK AND INTENDS TO ENFORCE ITS RIGHTS UNDER THE COPYRIGHT LAWS AS A PUBLISHED WORK.

THIRD ANGLE PROJECTION



TOLERANCES (UNLESS OTHERWISE SPECIFIED)

HOLE: +.006
 -.001
 DECIMAL: .XXX: ±.005
 .XX: ±.01
 .X: ±.1
 ANGLES: ±°
 SURFACE: ±"
 125
 ROUGHNESS: ✓

REMOVE ALL BURRS, BREAK SHARP EDGES R.015 MAX. INSIDE CORNER RADII .015 MAX.

DRAWN D. PRIOR 03/29/16

CHECKED R CHISM 03/29/16

RELEASED R CHISM 03/29/16

UNLESS OTHERWISE SPECIFIED ALL DIMENSIONS ARE IN INCHES, MILLIMETERS IN BRACKETS. DIMENSIONAL LIMITS APPLY AFTER FINISH/PLATING.

SENSORS SYSTEMS SERVICES
3PS, Inc.
 A PASON COMPANY
 1300 Arrow Point Dr.
 Cedar Park, TX

TITLE OPD, OVERLOAD PROTECTION DEVICE 12VDC			
SIZE B	CAGE CODE 1MHK2	DRAWING NO. OPD-0001-012-0	REV A
SCALE 1:1	DO NOT SCALE DRAWING		SHEET 1 OF 1