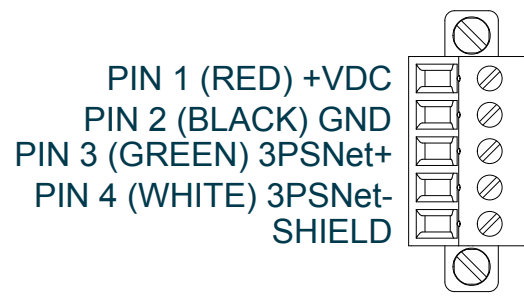


SPECIFICATIONS:

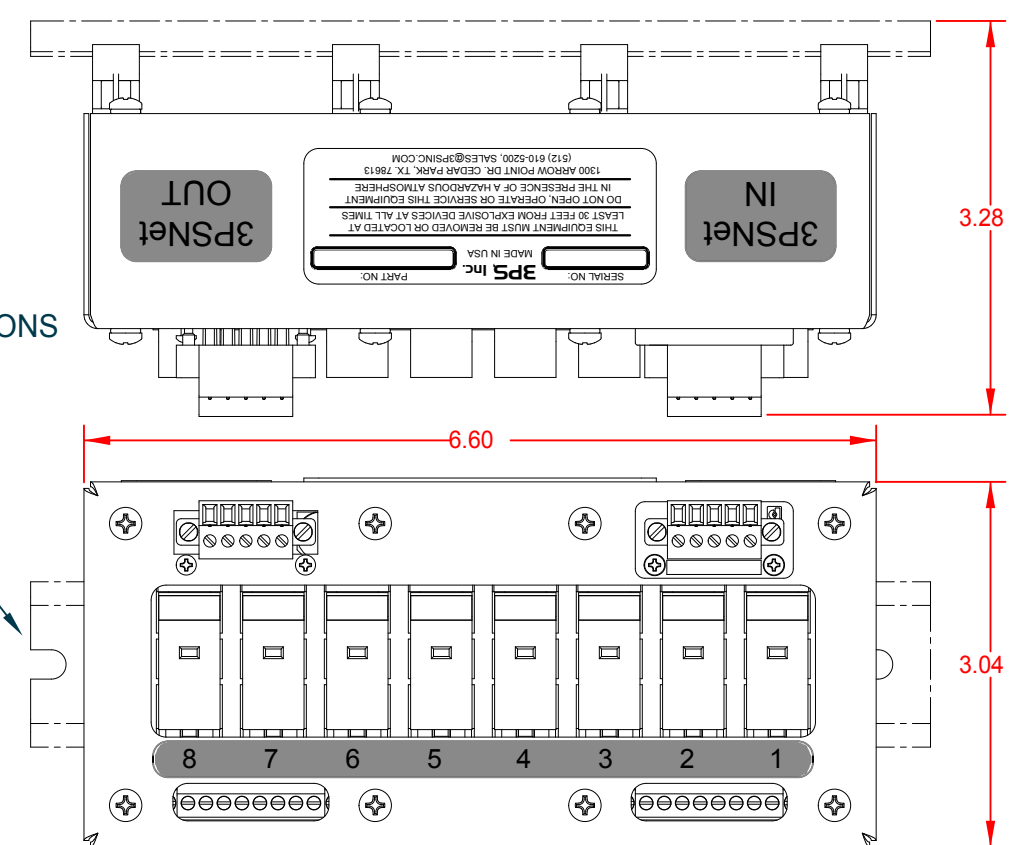
1. GENERAL:
 - 1.1 PROVIDES EIGHT CONFIGURABLE MECHANICAL RELAY INPUTS
2. ELECTRICAL:
 - 2.1 INPUT POWER: 9 - 30VDC FROM 3PSNET
 - 2.2 RELAYS: COILS RATED FOR 24VDC
 - 2.3 DIGITAL CONTROL VIA 3PS DATA NETWORK
 - 2.4 NETWORK CABLE SHOULD BE COMPARABLE TO CBL7022 SERIES.
 - 2.5 INPUT TERMINALS 16-26 GAUGE STRANDED WIRE RECOMMENDED
3. ENVIRONMENTAL:
 - 3.1 OPERATIONAL TEMPERATURE: -40 TO +65°C
 - 3.2 PROTECTION: INDOOR USE ONLY. TO BE INSTALLED IN AN ENCLOSURE BY CUSTOMER TO MEET INSTALLED ENVIRONMENT SPECIFICATIONS
 - 3.3 CAUTION: SAFE AREA USE ONLY
4. MECHANICAL:
 - 4.1 5052-H32 ALUMINUM HOUSING.

REVISIONS			
REV	DESCRIPTION	APPROVED	DATE
A	INITIAL RELEASE	K CORPORON	01/22/14

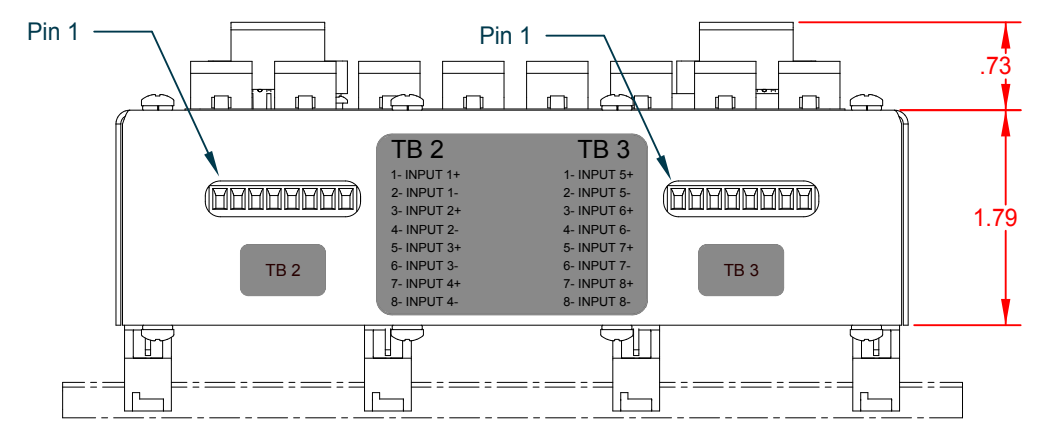
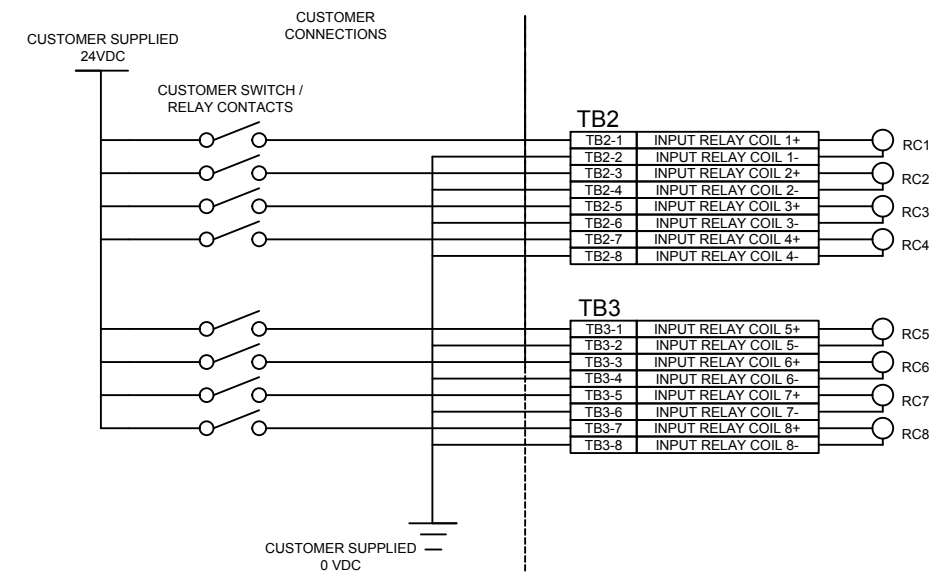
**PIN OUT
FOR 3PSNet IN &
3PSNet OUT**



35mm DIN RAIL



NOT TO SCALE



SPECIFICATION CONTROL DRAWING

TOLERANCES (UNLESS OTHERWISE SPECIFIED)	DRAWN P BROWN	1/22/2014
HOLE: +.006 -.001	CHECKED K CORPORON	1/22/2014
DECIMAL: .XXX: ±.005 DECIMAL: .XX: ±.01 DECIMAL: .X: ±.1	RELEASED P BROWN	1/22/2014
ANGLES: ±1° SURFACE: 125 ROUGHNESS: √	UNLESS OTHERWISE SPECIFIED ALL DIMENSIONS ARE IN INCHES, MILLIMETERS IN BRACKETS.	
THIRD ANGLE PROJECTION	DIMENSIONAL LIMITS APPLY AFTER FINISH/PLATING.	
REMOVE ALL BURRS, BREAK SHARP EDGES R.015 MAX. INSIDE CORNER RADII .015 MAX.		

SENSORS SYSTEMS SERVICES **3PS, Inc.** A PASON COMPANY
1300 Arrow Point Dr. Cedar Park, TX

INPUT RELAY MODULE, 8 X 24VDC			
SIZE C	CAGE CODE 1MHK2	DRAWING NO RLM02-001	REV A
SCALE 1:1	DO NOT SCALE DRAWING	SHEET 1 OF 2	

EXPORT COMPLIANCE: TRANSFER OF 3PS DATA (DOCUMENTS, SOFTWARE, DRAWINGS, SPECS, ETC) BY ANY MEANS TO A FOREIGN PERSON OR ENTITY, WHETHER IN THE UNITED STATES OR ABROAD, MAY REQUIRE U.S. GOVERNMENT AUTHORIZATION.
© 2013 BY 3PS, INC
THIS DOCUMENT MAY NOT BE COPIED OR REPRODUCED IN ANY WAY WITHOUT THE WRITTEN CONSENT OF 3PS, INC. 3PS, INC. OWNS ALL RIGHTS TO THIS WORK AND INTENDS TO ENFORCE ITS RIGHTS UNDER THE COPYRIGHT LAWS AS A PUBLISHED WORK.