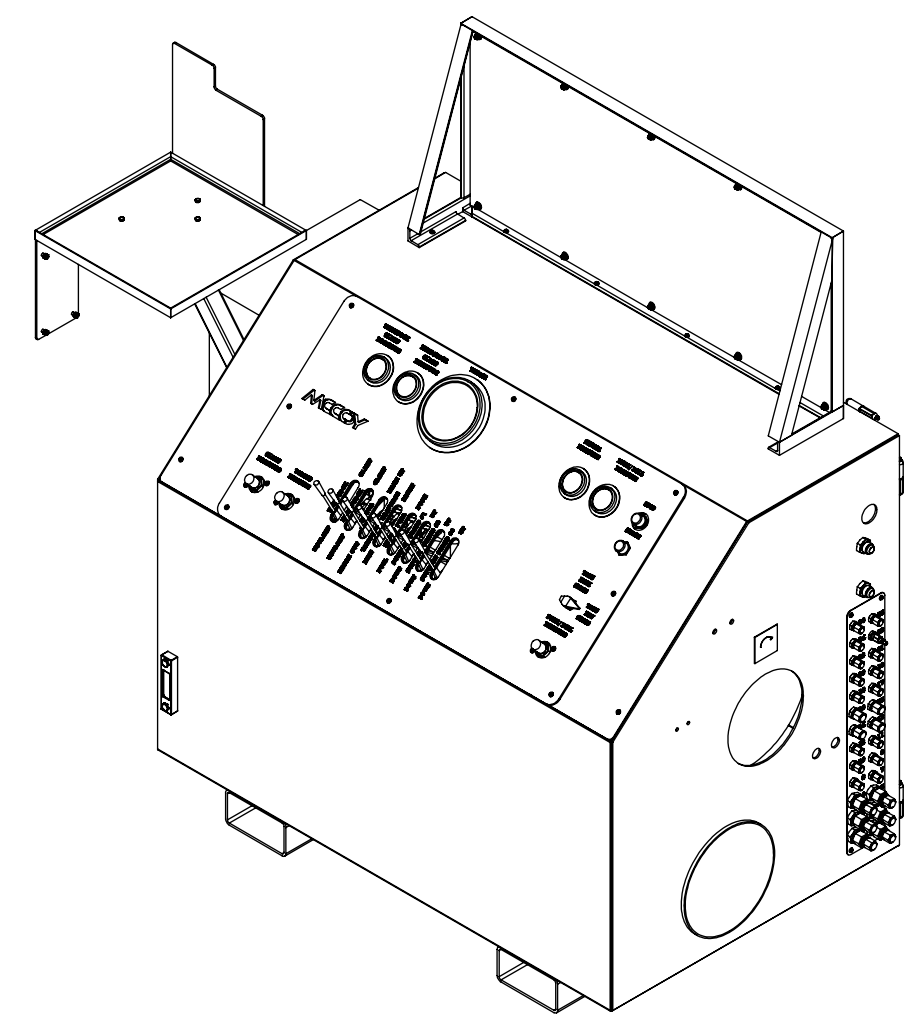
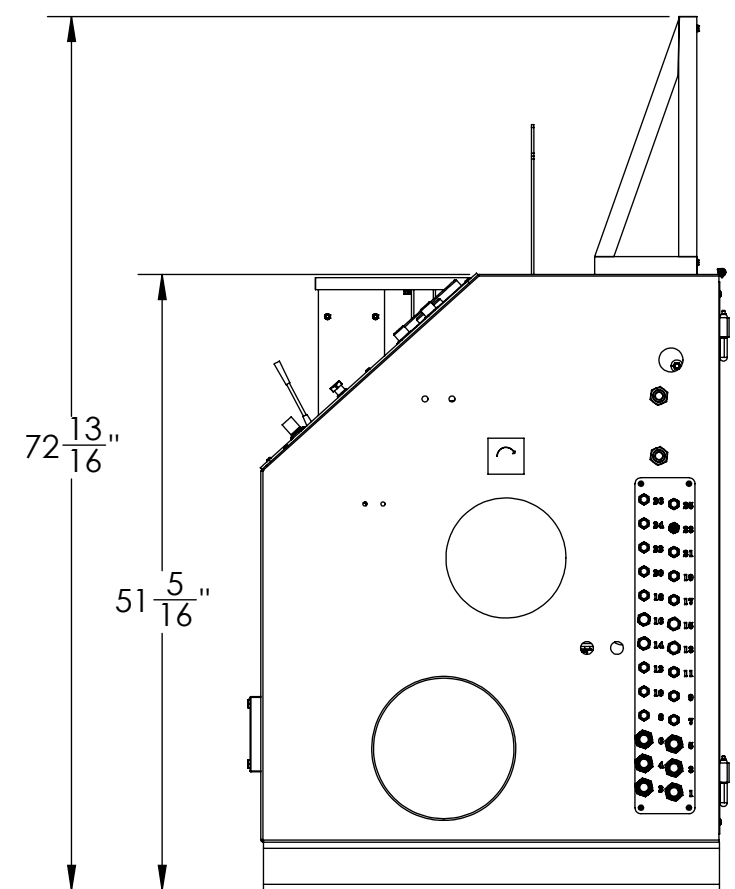
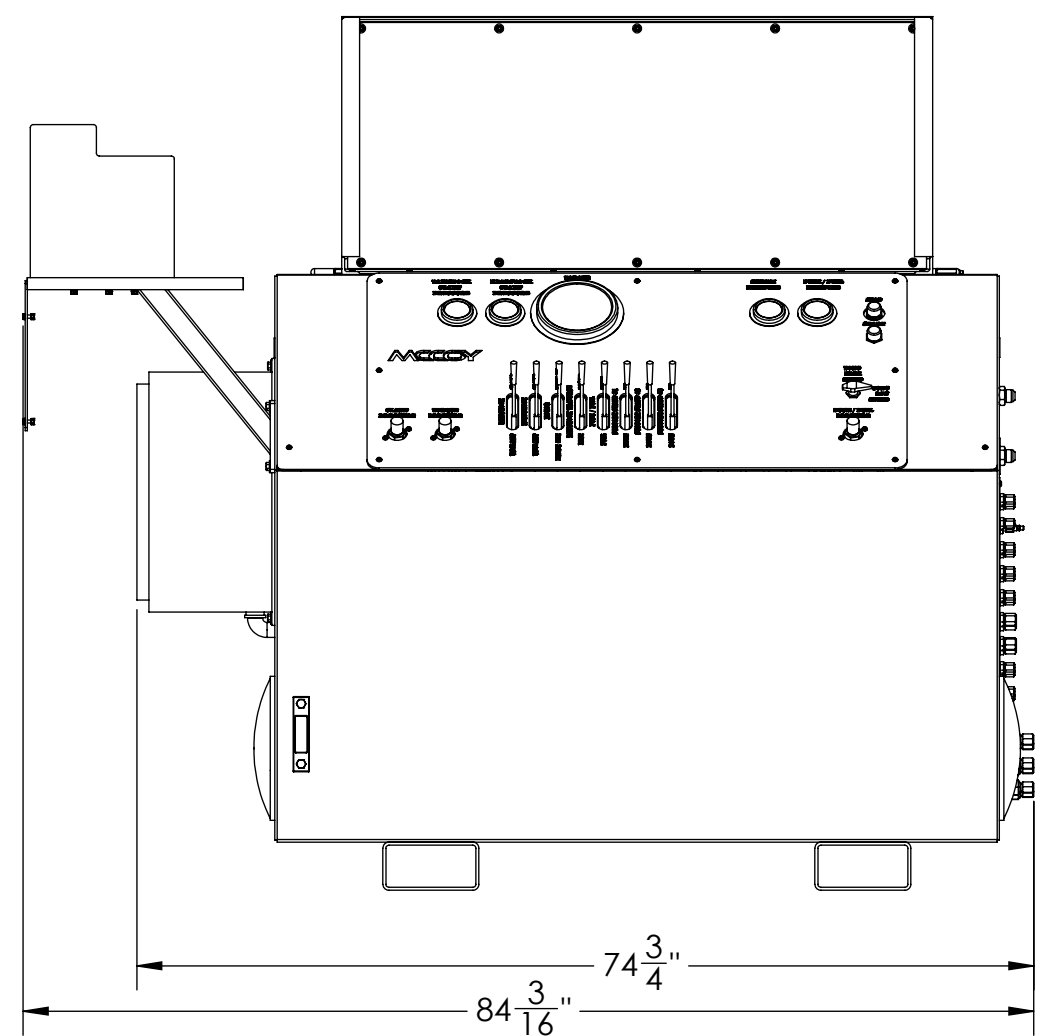
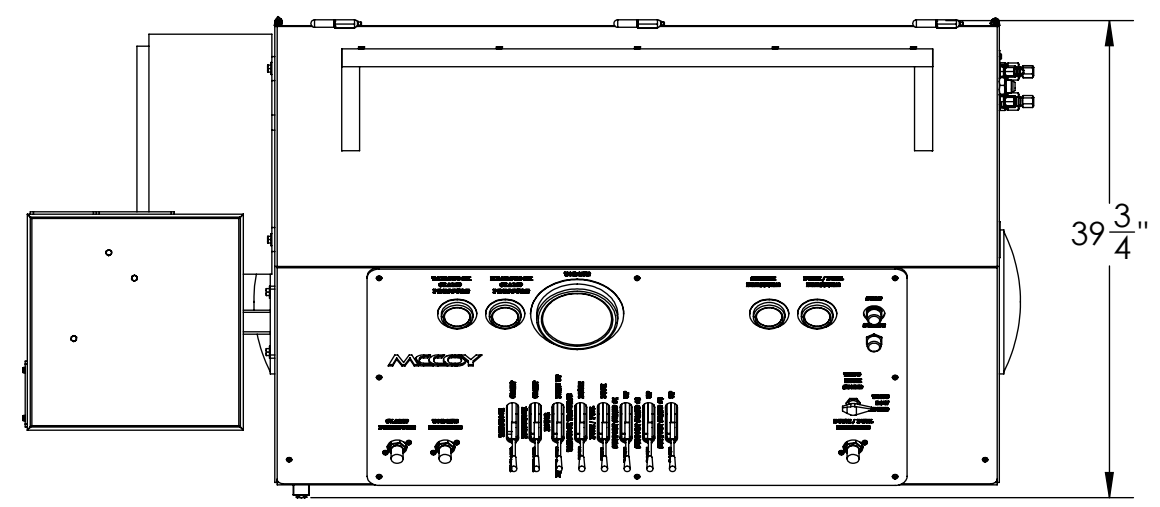


RP5047-6000 SPECIFICATIONS			
POWER REQUIREMENT	3 PHASE 480 V, 60 Hz	3 PHASE, 380 V 50 Hz	3 PHASE, 240V, 50 Hz
FULL LOAD / INRUSH CURRENT	59.2 A / 213 A	74.8 A / 269 A	118 A / 426 A
MAXIMUM OPERATING PRESSURE	3000 PSI / 207 BAR		
MAXIMUM MOTOR OUTPUT	50 HP		
MAXIMUM HYDRAULIC FLOW	47 GPM / 178 LPM		
HYDRALUIC RESERVOIR CAPACITY	90 GALLON / 341 L		
OIL REQUIREMENT	AW-68		
SPECIAL FEATURES	8 BANK VALVE		
	AIR SHIFTER		

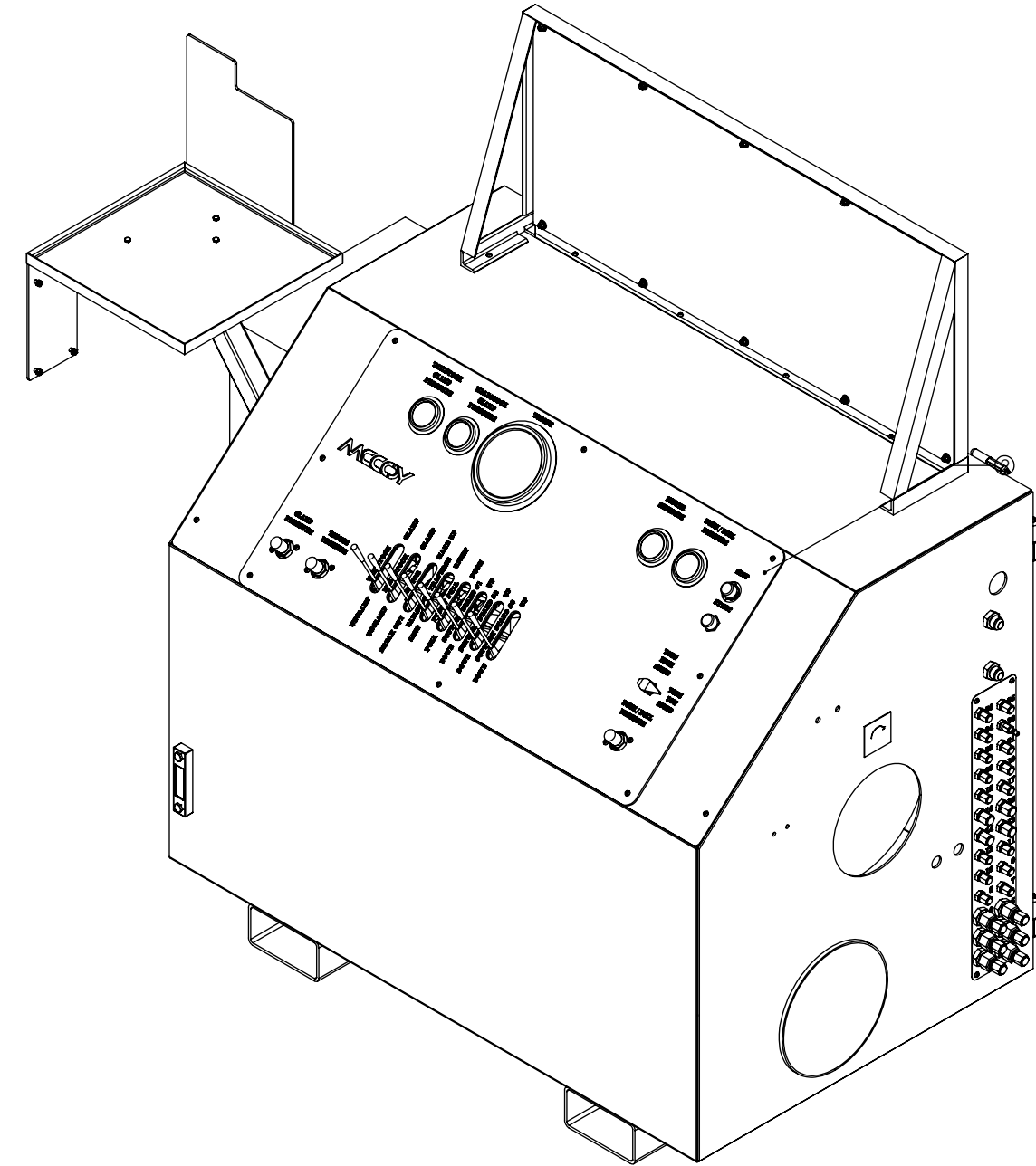



REVISIONS				
REVISION	ECO NUMBER	ECO DESCRIPTION	ECO COMPLETED BY	ECO COMPLETED DATE
A	14-0400	SEE ECO COPY	J.KELLY	07/28/2014
B	17-0101	ADDED GA SPECIFICATION SHEET	M.BUDDEN	5/11/2017

UNLESS OTHERWISE SPECIFIED:			PROPRIETARY STATEMENT		DESCRIPTION	
1. DIMENSIONS ARE IN INCHES	THIS DOCUMENT IS THE PROPERTY OF MCCOY CORPORATION AND IS CONSIDERED CONFIDENTIAL. THIS INFORMATION MAY NOT BE USED, DISCLOSED, COPIED, OR REPRODUCED IN ANY FORM, WITHOUT THE EXPRESS WRITTEN CONSENT OF MCCOY CORPORATION.				ASSEMBLY, POWER UNIT/ CONSOLE, 8 BANK	
2. TOLERANCES: ANGULAR ± 1° FRACTIONAL ± 1/16 TWO PLACE DECIMAL ± 0.02 THREE PLACE DECIMAL ± 0.005	DRAWN M.BUDDEN 02/26/2013				SIZE PART NO. RP5047-6000	
3. IDENTIFY P/N & MAIL P.O. USING 1/8 TO 1/4 ETCHED LETTERS, DENOTED BY "X"	CHECKED				REV B	
4. REMOVE BURRS & SHARP EDGES WITH 1/64x45° MAX	APPROVED B.PEARCE 02/26/2013				MATERIAL N/A	
5. MACHINED FILET RADII SHALL BE 1/32	THIRD ANGLE PROJECTION				WEIGHT 3175 LBS.	
6. FINAL SURFACE ROUGHNESS AVG. (Ra) SHALL BE ≤ 250 MICROINCHES	WEIGHT 3175 LBS.				SHEET 1 OF 7	
7. DIMENSIONS IN PARENTHESES ARE CRITICAL DIMENSIONS: 100% INSPECTION REQUIRED	WEIGHT 3175 LBS.					
8. A TRIANGLE DENOTES A REVISION						
9. INTERPRET DRAWING PER ASME Y14.5-2009						

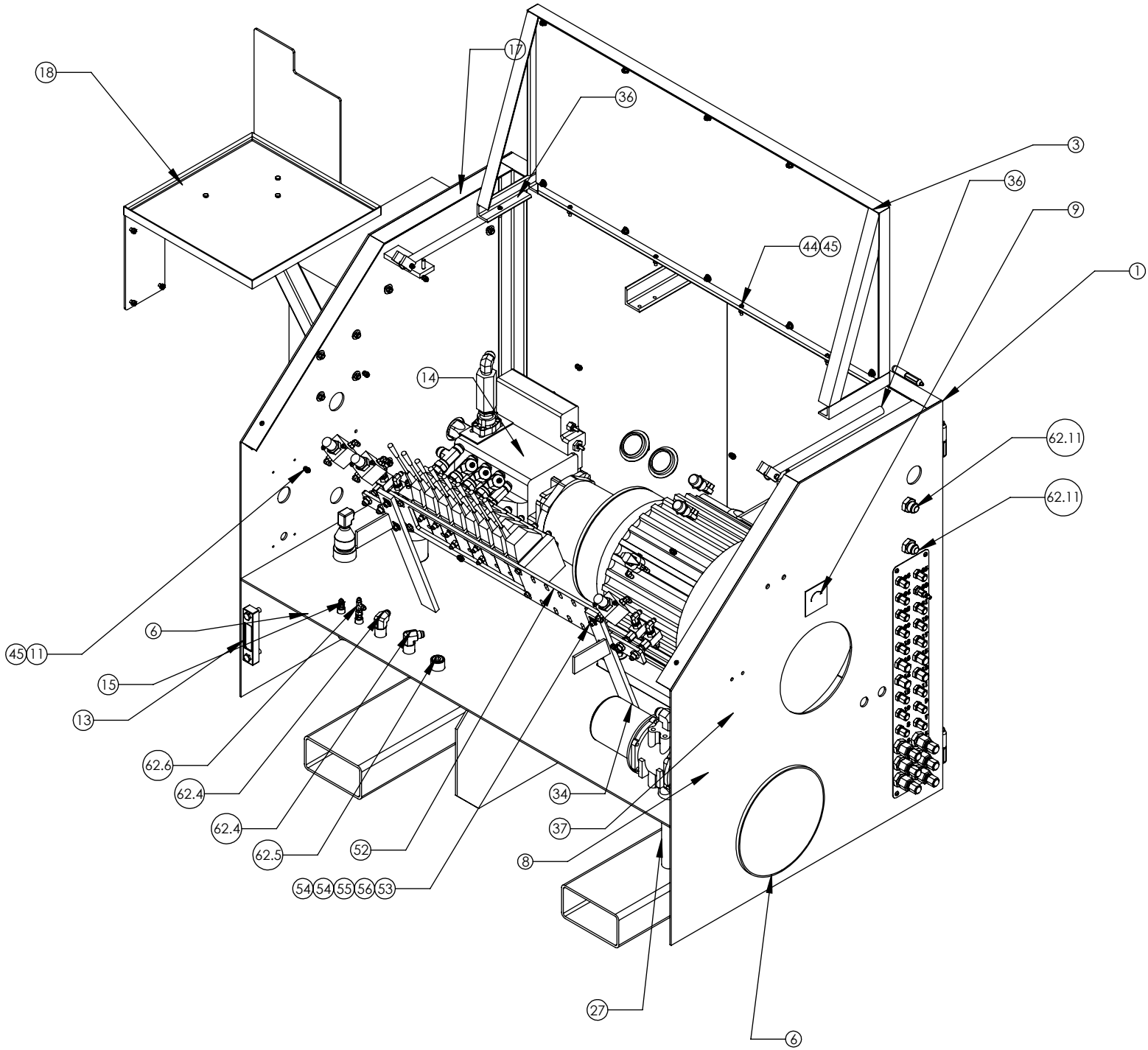
RELEASED FOR PRODUCTION

ITEM	QTY.	P/N	DESCRIPTION	ITEM	QTY.	P/N	DESCRIPTION	ITEM	QTY.	P/N	DESCRIPTION	ITEM	QTY.	P/N	DESCRIPTION
1	1	100-6500-7	WELDMNT. CONSOLE, HPU	58	1	KITRPEM-01	KIT, MOTOR, ELECTRIC, 50 HP	62.27	2	8-10F5OX-S	FITTING, 1/2 MJIC, 5/8 MSAE (#10), STRAIGHT	62.35	15	6WTX-WLN-S	FITTING, 3/8 MJIC, 3/8 MJIC, STRAIGHT, BULKHEAD
2	1	6000-08	OVERLAY, BANK	58.1	1	CB11081	BUTTON, START	62.28	4	2406-12-4	FITTING, REDUCER, 3/4" FJIC X 1/4" MJIC	62.36	1	A3C	FITTING, QUICK DISCONNECT, 1/4 MOD, 1/4 FNPT
3	1	CBCS500	CONSOLE SHIELD ASSEMBLY	58.2	1	CB11080	BUTTON, STOP	62.29	8	4-5 f50x-s	FITTING, 1/2 MSAE x 1/4 MJIC STRAIGHT	62.37	5	6WFTX	FITTING, BULKHEAD, 3/8 MNPT, 3/8 MJIC
4	3	133-6500	2-1/2" 0-3000 PSI GAUGE	58.3	1	CB11085-01	CONTACT, BLOCK, NC	62.30	1	1579-B	VENT, 1/8 NPT	62.38	2	1530	FITTING, REDUCER, 3/8 FJIC SWIVEL, 1/4 MJIC
5	1	135-6500	GAUGE, 2-1/2, 5000 PSI	58.4	1	CB11085	CONTACT, BLOCK, NC	62.31	1	PN32-C	FITTING, 2 MNPT, 2 MNPT, CLOSE, STRAIGHT, SCH 40 PIPE NIPPLE	62.39	6	12-8TRTXN-S	FITTING, ADAPTER, 3/4 FJIC, 1/2 MJIC
6	2	SEC-12	COVER, CLEANOUT	58.5	1	CB11099	BUSHING, REDUCER, 2 X 1	62.32	3	4HP5ON-S	PLUG, HEX, 1/4" ORB	62.40	10	1637	CAP, JIC, 1/2
7	1	73028	VALVE, 4 WAY BALL, 1/8 FNPT	58.6	1	CB11099-01	FITTING, 1 CARLEX	62.33	4	8WTX-WLN-S	FITTING, 1/2 MJIC, 1/2 MJIC, STRAIGHT, BULKHEAD	62.41	15	1636	CAP, JIC, 3/8
8	1	P563268	FILTER HEAD W/ 1 1/4" FNPT PORTS	58.7	1	CB11099-03	FITTING, CARFLEX, 1, ELBOW	62.34	6	12-WTX-WLN-S	FITTING, BULKHEAD, 3/4 INCH MJIC X MJIC				
9	1	RPTAG1	CLOCKWISE ROTATIONAL STICKER	58.8	1	PU5060-S2	MOTOR, ELECTRIC, 50HP, TEFC, 480 VAC, 60HZ								
10	1	134-6500	GAUGE, 6, 5000 PSI	58.9	1	CB11099-02	HOSE, CARFLEX, 1, 5FT LONG								
11	24	SST-08	SCREW, BUTTON HEAD, 1/4-20/3/4	58.10	1	RX-53	WIRE, BLACK								
12	1	PU4060-S30	FILLER CAP	58.11	1	RX-54	WIRE, GREEN, 8 FT								
13	1	PU4060-S31	GUAGE, LEVEL / TEMPERATURE	58.12	3	PBTS-2-1-0	CONNECTOR, INSULATED								
14	1	RPDV5047-3501	DUMP VALVE ASSEMBLY	58.13	1	RX-11	CONNECTOR, 1/2								
15	2	12002000	BAR, MOUNTING, HATCH COVER	58.14	1	RX-12	CONNECTOR, 1/2								
16	1	7003638	HYDRAULIC PUMP 75cc, LS JRRO75C-LS-21-20-NN-N-3-S1N2-A2N-NNN-NNN-NNN	58.15	2	RX-13	NUT, LOCK, 1/2, STEEL								
17	1	RP480-A202010LP	BOX, ELECTRICAL, 380V TO 480V	58.16	1	RX-18	ELBOW, PULLING								
18	1	CLEBU1210-03	WELDMNT, TRAY, COMPUTER	58.17	1	RX-55	WIRE, SHIELDED, START/STOP								
19	1	570H	HYTREL INSERT (SPIDER)	58.18	1	RX-10	RECEPTICLE, FEMALE, 10A								
20	1	PU2500-H18	SHAFT COUPLING, PUMP, 14T, 12/24 SPLINE, MfgNo : M500A1412C	58.19	1	RX-9	RECEPTACLE, MALE, 10A								
21	1	PU2500-H6	Pump/ Motor Mounting Adapter SAE C 4 bolt x 7.62" long	59	1	KITFIT-RPEPU	ASSEMBLY, LEVEL SWITCH								
22	1	PU4060-s6	MOTOR SHAFT COUPLING	59.1	1	1871	BELL RED GV, 1 1/4 X 1/2								
23	1	W43-16-16 U	KIT, FLANGE, 1	59.2	1	1875	FITTING, REDUCER, 1/2 MNPT, 1/4 FNPT								
24	1	W43-32-32U	FLANGE KIT 2" FNPT	59.3	1	1872	FITTING, NIPPLE, 1/2, CLOSE, GALV.								
25	1	2STRAINER	STRAINER, SUCTION, 2 FNPT	59.4	1	1873	FITTING, NIPPLE, 1 1/4, CLOSE, GALVANIZED								
26	2	1404-B	FITTING, 3/4 MNPT, 3/4 MNPT, 7.5, STRAIGHT, SCH 80	59.5	1	1874	COUPLING, MERCHANT, 1/4								
27	1	PN20-7500	FITTING, 1 1/4 MNPT X 1 1/4 MNPT, 7.5 IN, STRAIGHT, SCH 80 (PIPE NIPPLE)	59.6	1	1877	FITTING, NIPPLE, 1/4 MNPT, 1/4 MNPT, 8, STRAIGHT								
28	8	1151	LOCKWASHER, 5/8, STEEL, GR8	60	3	CRSS20009-01	VALVE, RELIEF, PANEL MOUNT								
29	1	EBWOO 1R3004A20A120	3P 10A FEM RCPT	61	1	152-6500	COVER, BULKHEAD								
30	1	RP04-200	2" SWING CHECK VALVE (FLAPPER VALVE)	62	1	KITFIT-RP5047-6000	RP6000 FITTING KIT								
31	1	PN32-10000	PIPE NIPPLE 2 IN X 10 IN LONG	62.1	1	1394-A	2" STREET EL. LOW PRESSURE								
32	1	D2375	ROD WIPER 2 3/8" ID 2 7/8" OD 3/8" HGT. 1/4" BASE THK.	62.2	1	1463	NIPPLE, HEX, 1 1/4"								
33	1	CVH05-0750N	3/4 CHECK VALVE	62.3	1	2501-12-20	FITTING, 90 DEG. ELBOW, 1 1/4" MNPT X 3/4" MJIC								
34	1	P165875	FILTER ELEMENT	62.4	2	1626	FITTING, 1/2 MNPT, 1/2 MJIC, ELBOW								
35	1	PU4060-S33	SWITCH, FLOAT, 1/4 MNPT	62.5	1	1610	FITTING, 3/4 MNPT, PLUG								
36	2	173-6500	TUBE, UPRIGHT	62.6	1	4R6X-S	FITTING, 1/4 FJIC SWIVEL, 1/4 MJIC, RUN TEE								
37	1	LFT-134-2	GAUGE FILTER 2 IN FACE 60 PSI 125 NPT	62.7	4	4-4GTX	1/4" MJIC X 1/4" FNPT								
38	4	202	SCREW, HEX, 5/8-11, 2 1/2, STEEL, GR8	62.8	1	1467	ADAPTER, 3/4MNPT X 3/4MJIC, STRAIGHT								
39	8	195-A	FLATWASHER, 5/8	62.9	1	12G6X	FITTING, SWIVEL, 3/4 FNPT X 3/4 FJIC, STRAIGHT								
40	4	194	NUT, HEX, 5/8-11, STEEL, GR8	62.10	1	1588	FITTING, 3/4 FNPT, 3/4 FNPT, ELBOW								
41	7	100	NUT, HEX, 1/4-20, GR8	62.11	2	RP2700-12-12	FITTING, 3/4 MJIC, 3/4 MIC, STRAIGHT, BULKHEAD								
42	7	101	WASHER, LOCK, 1/4, GR8	62.12	1	1679	HEX NIPPLE, REDUCING, 1 MNPT X 3/4 MNPT								
43	7	104	SCREW, HEX, 1/4-20, 3/4	62.13	1	8-10C5OX-S	FITTING, 5/8 MORB, 3/8 MJIC, 90 DEG								
44	6	SST-18	SCREW, BUTTON HEAD, 1/4-20 X 1, STAINLESS	62.14	7	1486-A	FITTING, O-RING, 1/4 x 1/4 MJIC, 90								
45	14	1737	NUT, NYLOCK, 1/4-20 SS	62.15	1	12CTX	FITTING, 3/4 MNPT, 3/4 MJIC								
46	8	1048	SCREW, HEX, 3/8 - 16, 1 1/4, STEEL, GR8	62.16	1	PN2-0300	PIPE NIPPLE, .125 X 3 MNPT, SCH 80								
47	16	1025	WASHER, FLAT, 3/8, STEEL, GR 8	62.17	1	1652-A	90 1/8 " FNPT X 1/8" FNPT								
48	8	213	NUT, NYLOCK, 3/8-16, GR8	62.18	3	1588-L	FITTING, 1/8 MNPT, 1/4 MJIC, 90 DEGREE ELBOW								
49	2	108	SCREW, HEX HEAD, 1/4-20, 1 3/4	62.19	2	1562	FITTING, 1/4 MNPT, 1/4 MJIC, STRAIGHT								
50	2	212	NUT, NYLOCK, 1/4 - 20	62.20	1	1653	FITTING, 1/4 FNPT, 1/4 MJIC, ELBOW								
51	1	RPV5047-6000	ASSEMBLY, VALVE, CONTROL	62.21	5	12R6X-S	FITTING, RUN TEE, 3/4" FJIC X 3/4" MJIC								
52	1	108-6500-02	PVG 32 VALVE MOUNTING PLATE	62.22	4	RP6801-NWO-4-6	FITTING, 90 DEG. ELBOW, 1/4" MJIC X 3/8" MORB								
53	8	124	SCREW, HEX HEAD, 5/16-18 X 1 1/2	62.23	4	1725-A	FITTING, 3/8 MORB, 1/4 FNPT, STRAIGHT								
54	8	119	5/16" FLATWASHER	62.24	4	4-6F5OX-S	FITTING, 3/8 MORB, 1/4 MJIC, STRAIGHT								
55	8	1023-B	WASHER, LOCK, 5/16, GR8	62.25	8	6400-12-10-O	FITTING, 5/8 MORB, 3/4 MJIC								
56	4	1023-A	NUT, HEX 5/16 - 18 GR8	62.26	8	6-10F5OX-S	FITTING, STRAIGHT, 3/8 MJIC, #10MSAE								
57	4	LSV1-6T-N	VALVE, SHUTTLE	62.26	8										



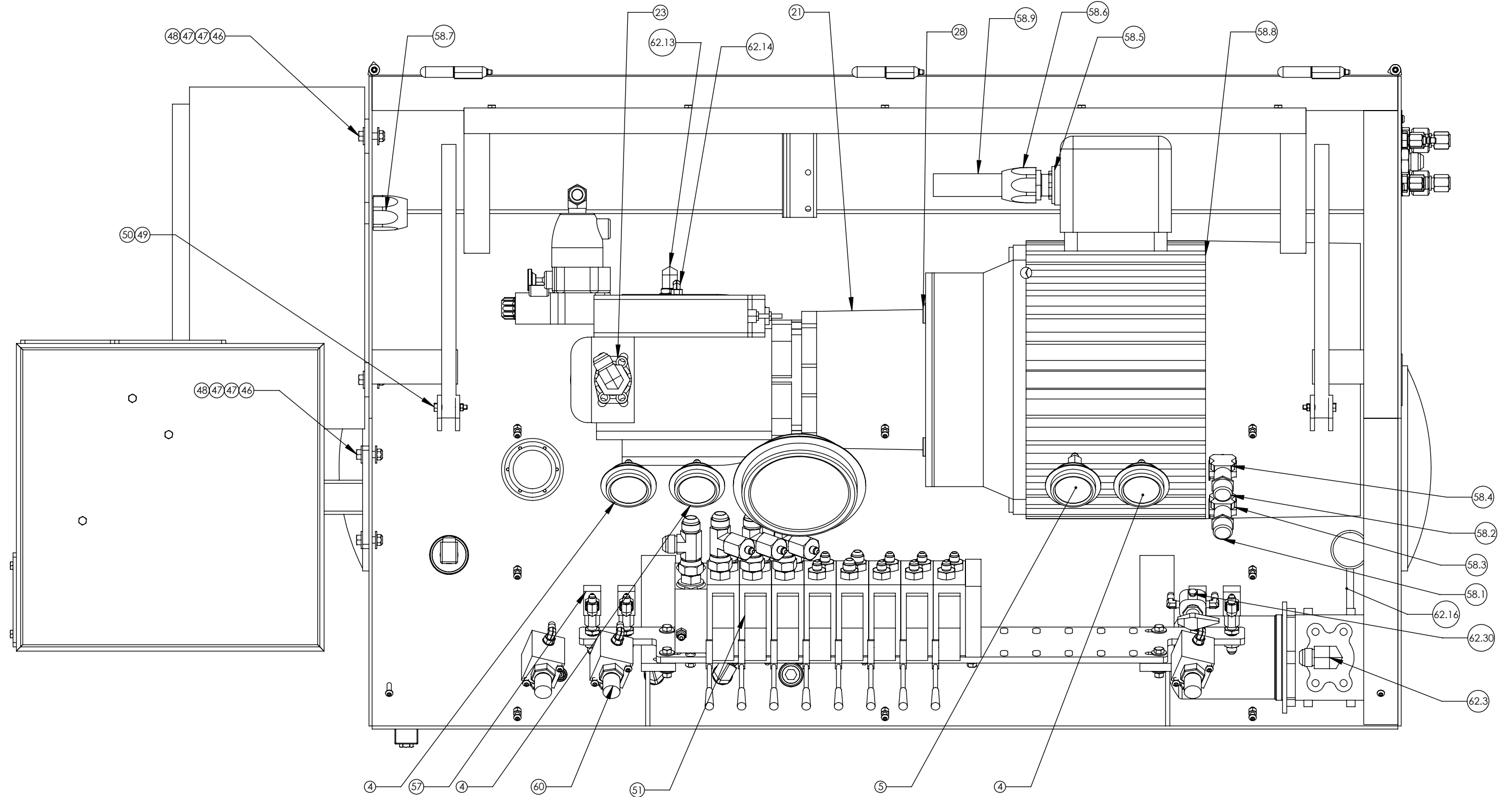
DESCRIPTION			
ASSEMBLY, POWER UNIT/ CONSOLE, 8 BANK			
SIZE	PART NO.	REV	
B	RP5047-6000	B	
MATERIAL		SHEET 2 OF 7	
N/A			

SHOWN WITHOUT FRONT, TOP, BOTTOM COVERS AND REDUCER BUSHING



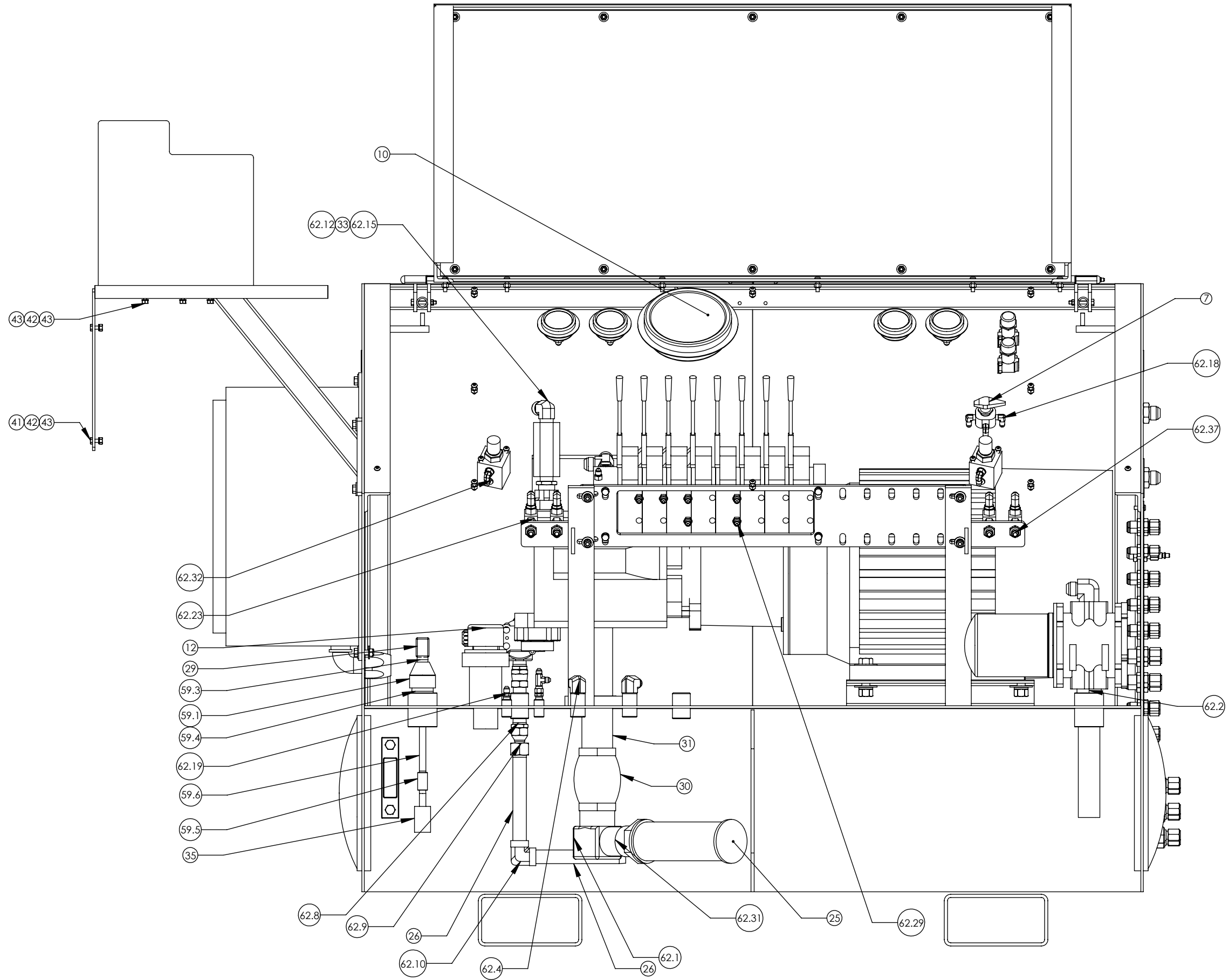
DESCRIPTION		
ASSEMBLY, POWER UNIT/ CONSOLE, 8 BANK		
SIZE	PART NO.	REV
B	RP5047-6000	B
MATERIAL	N/A	SHEET 3 OF 7

SHOWN WITHOUT FRONT, TOP COVERS



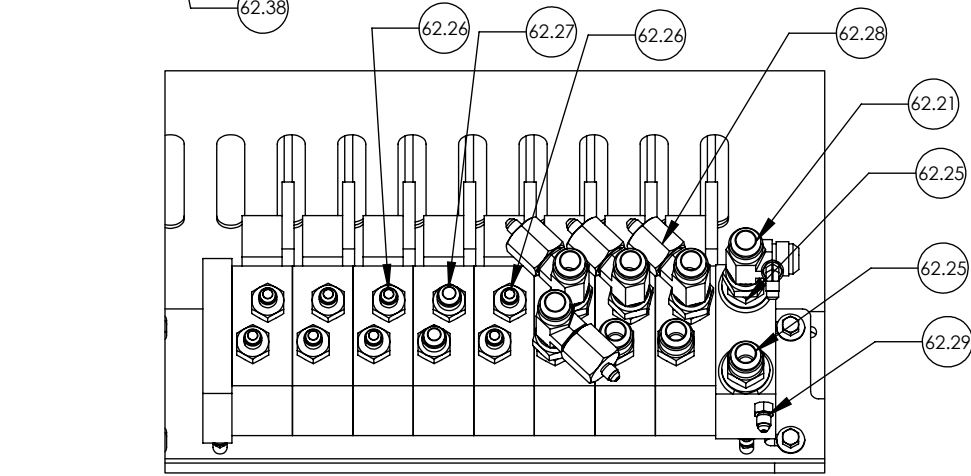
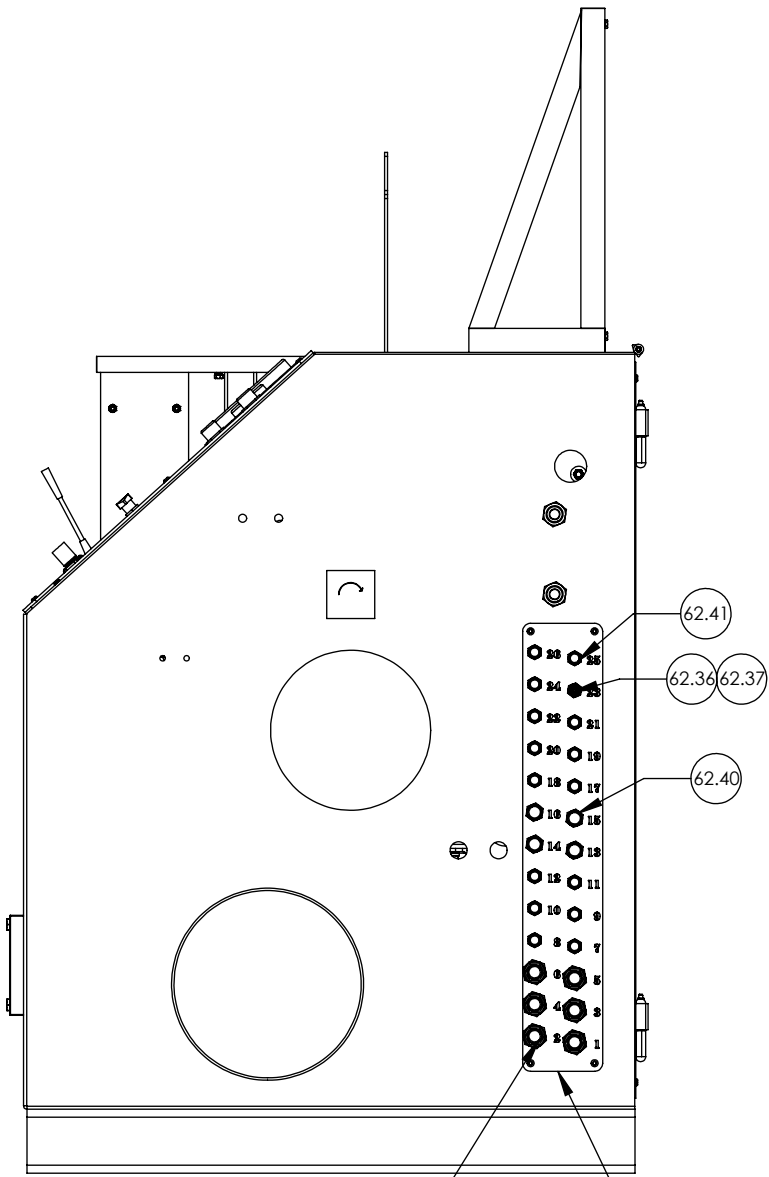
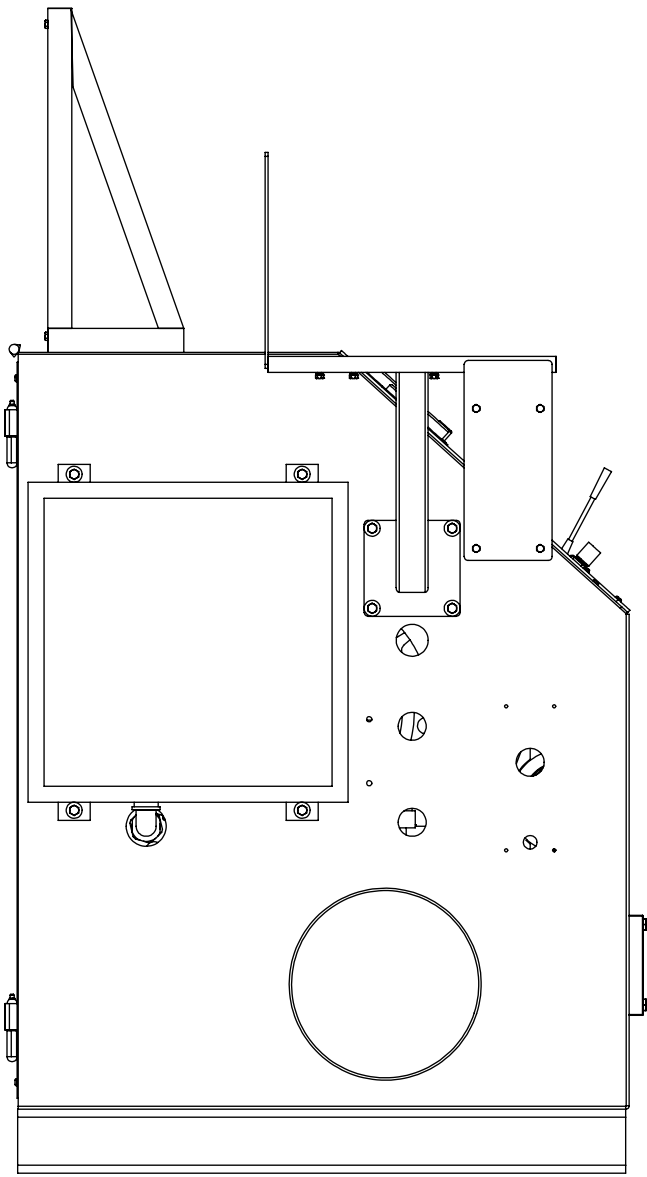
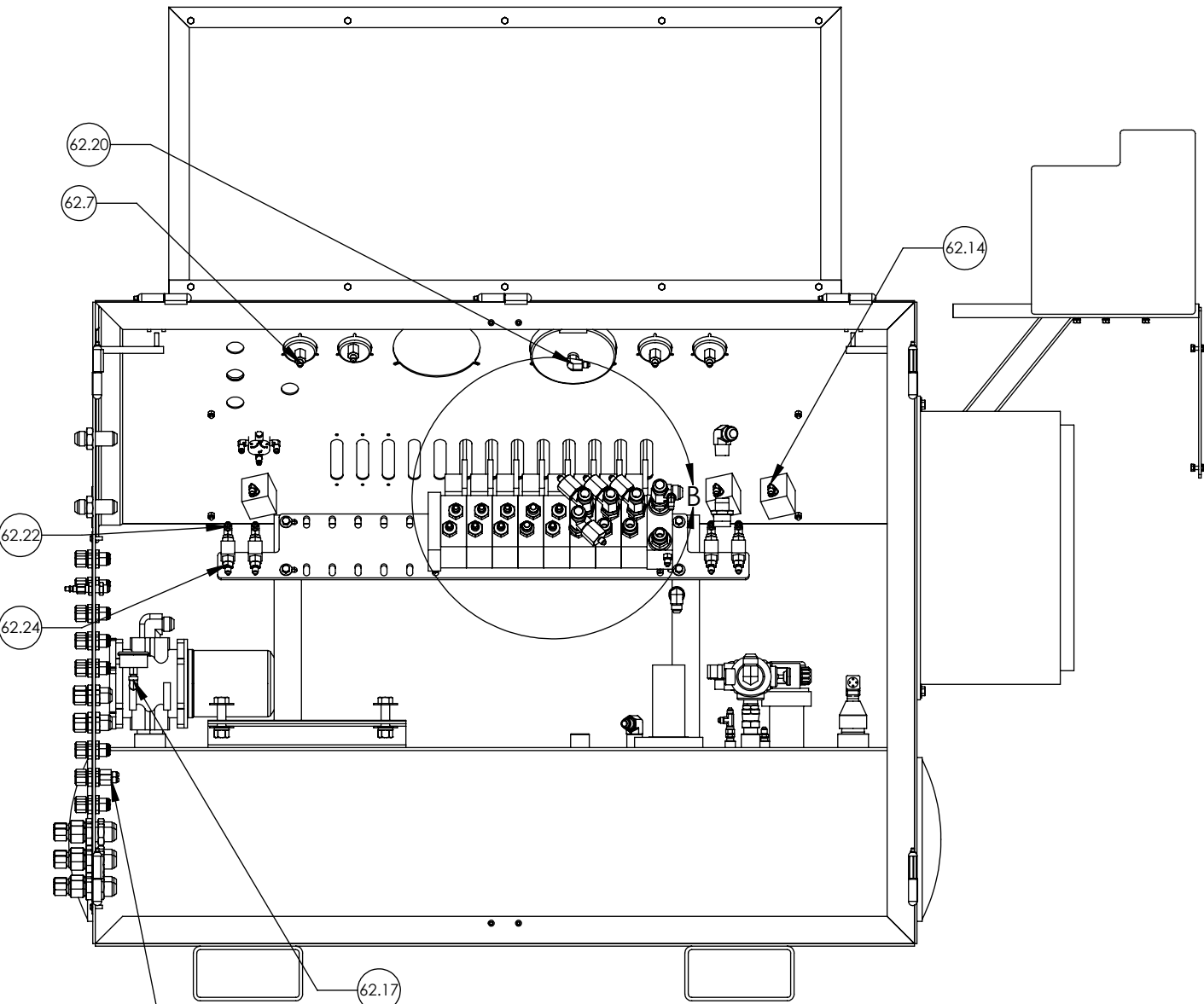
DESCRIPTION		
ASSEMBLY, POWER UNIT/ CONSOLE, 8 BANK		
SIZE	PART NO.	REV
B	RP5047-6000	B
MATERIAL	N/A	SHEET 4 OF 7

SHOWN WITHOUT FRONT, BOTTOM, TOP COVERS



DESCRIPTION ASSEMBLY, POWER UNIT/ CONSOLE, 8 BANK		
SIZE	PART NO.	REV
B	RP5047-6000	B
MATERIAL	N/A	SHEET 5 OF 7

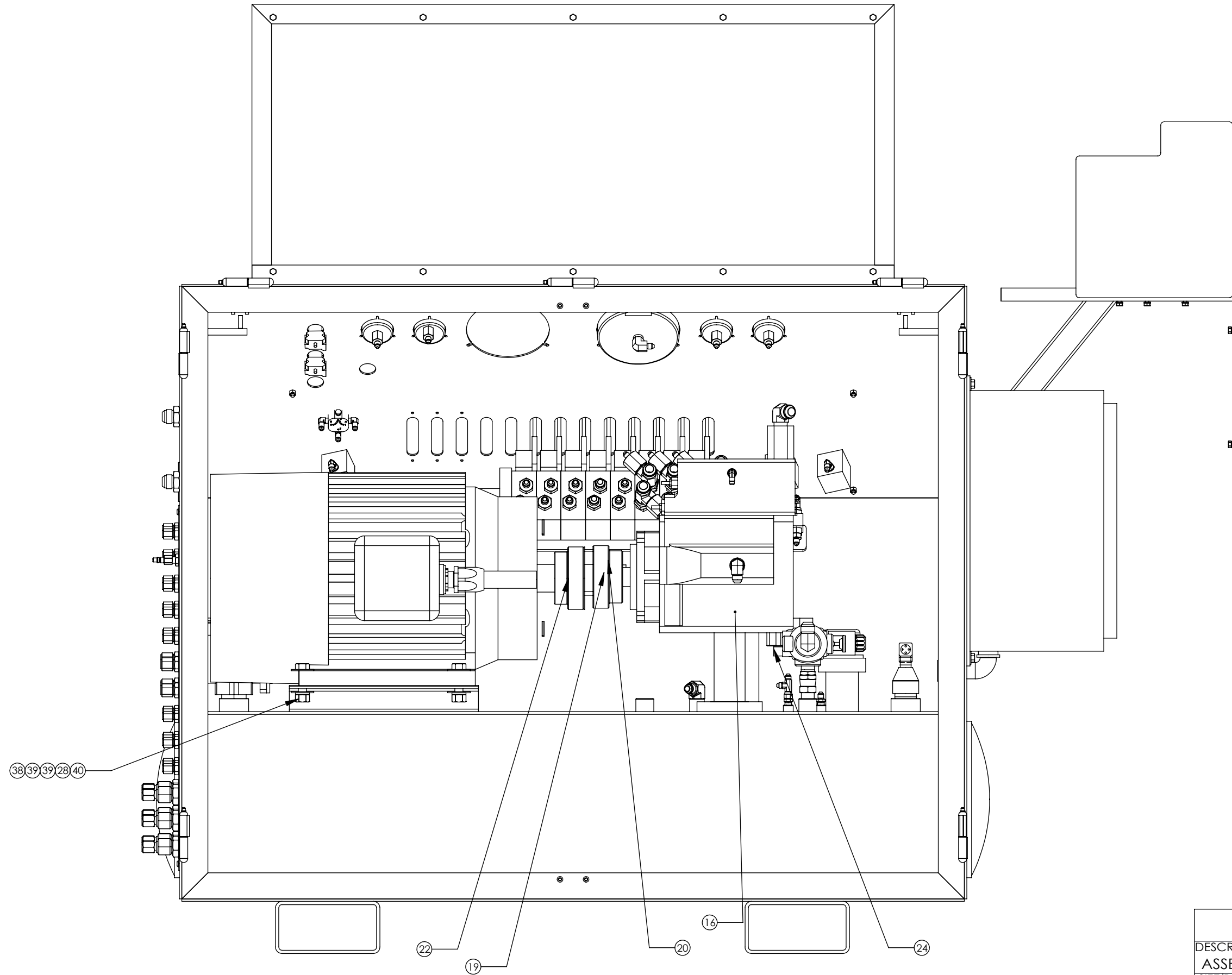
SHOWN WITHOUT MOTOR/PUMP ASSEMBLY, BACK DOORS



DETAIL B  
SCALE 1 : 6

DESCRIPTION		
ASSEMBLY, POWER UNIT/ CONSOLE, 8 BANK		
SIZE	PART NO.	REV
B	RP5047-6000	B
MATERIAL	N/A	SHEET 6 OF 7

SHOWN WITHOUT BACK DOORS, PUMP/MOTOR MOUNTING ADAPTER



DESCRIPTION ASSEMBLY, POWER UNIT/ CONSOLE, 8 BANK		
SIZE B	PART NO. RP5047-6000	REV B
MATERIAL N/A	SHEET 7 OF 7	