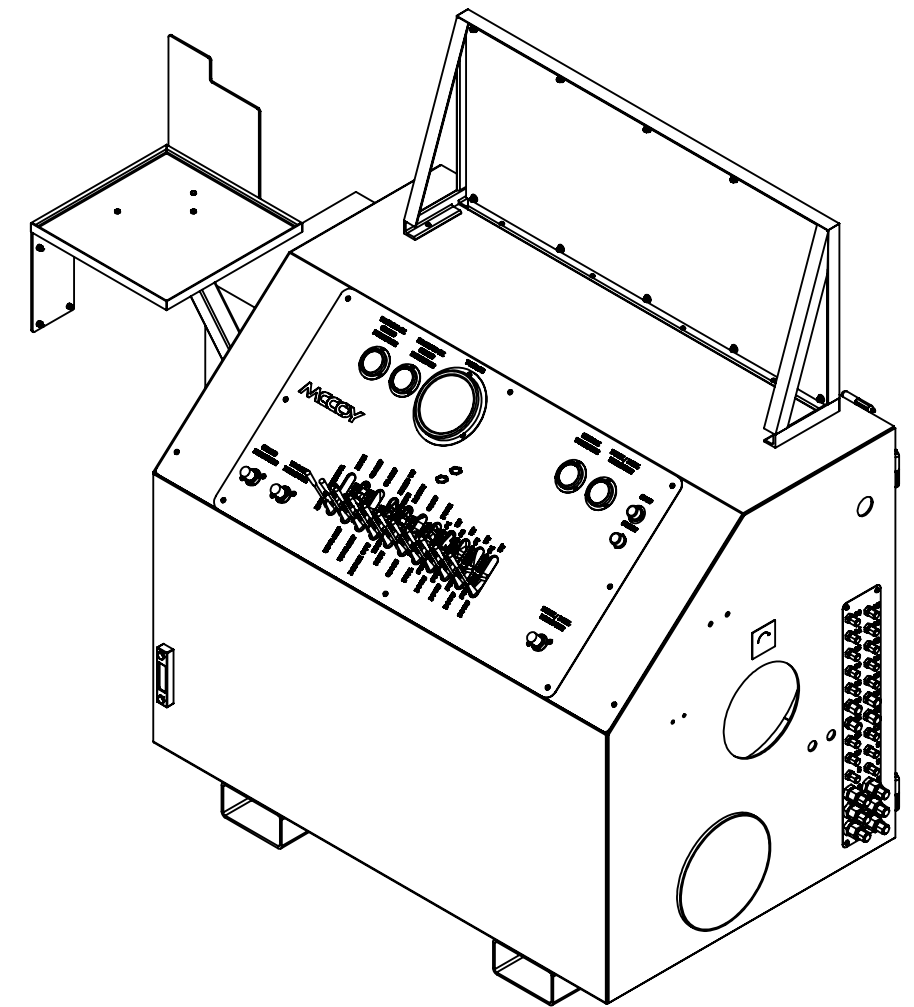
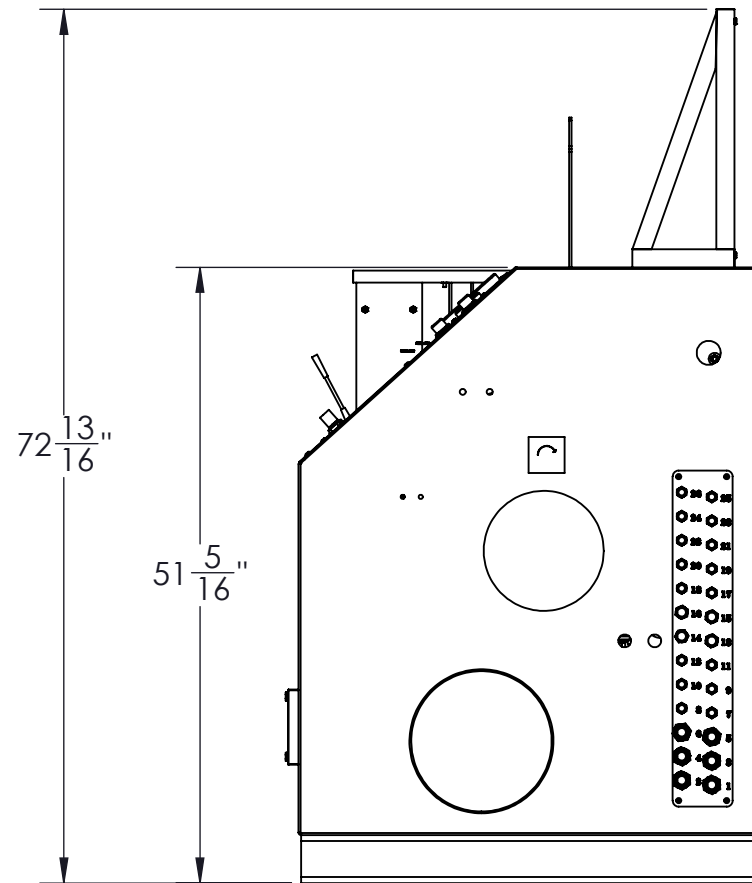
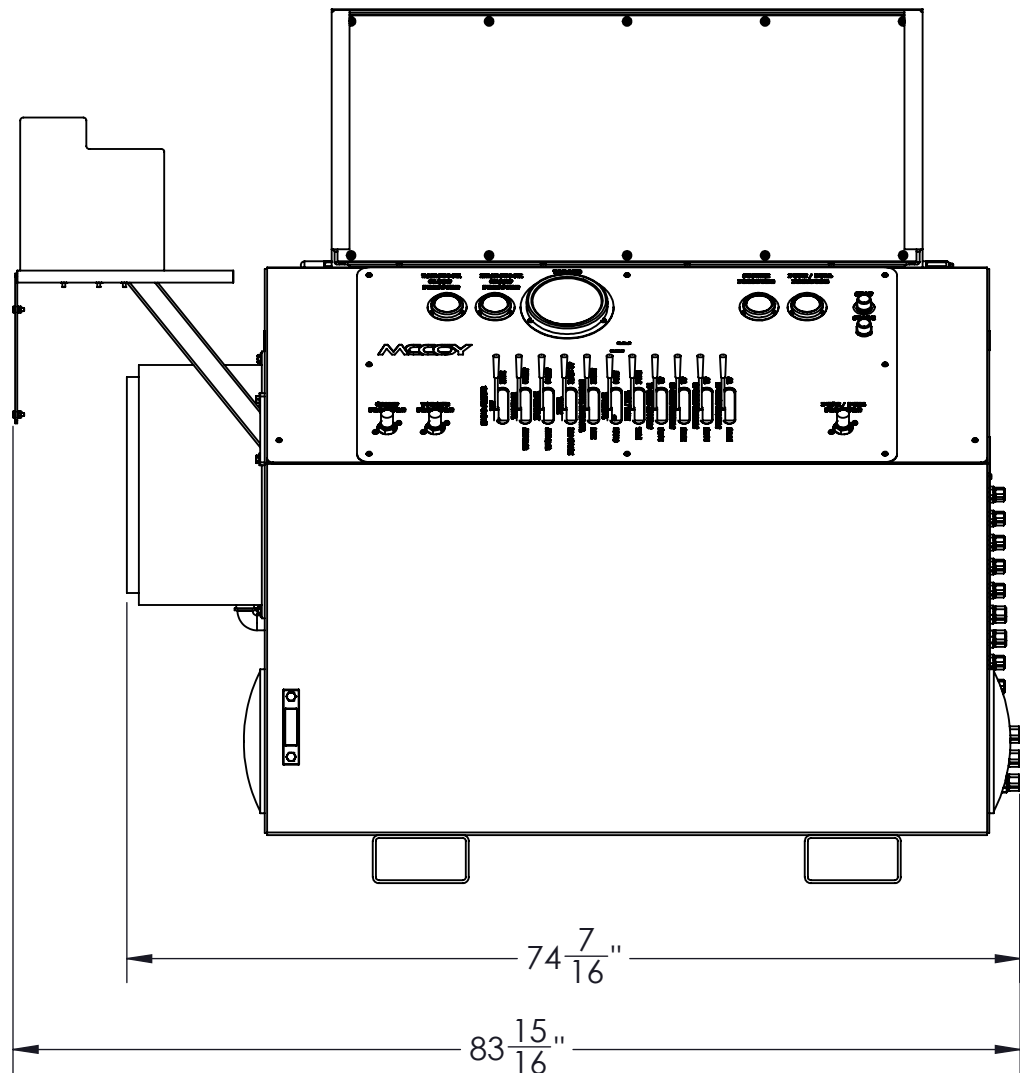
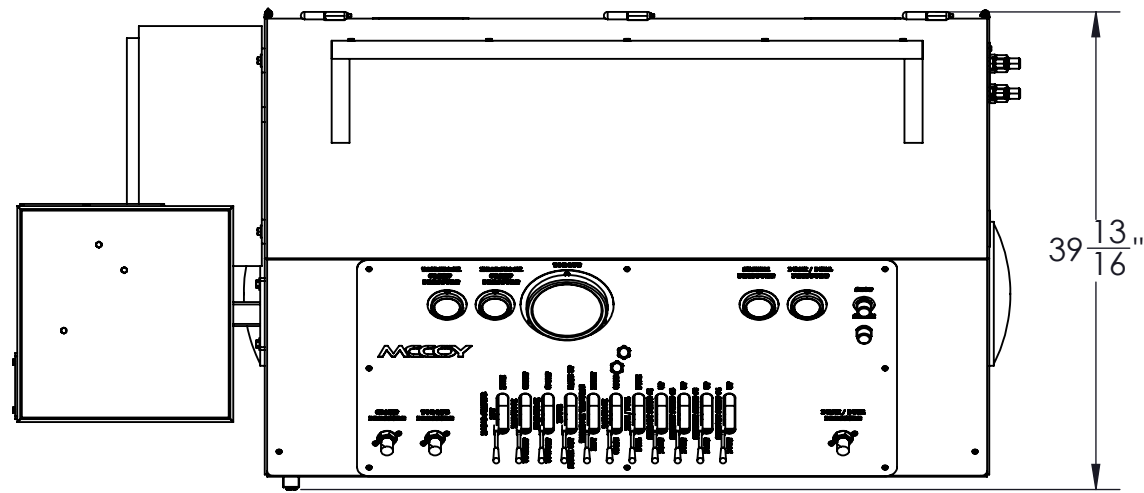


**RP5047-7005 SPECIFICATIONS**

POWER REQUIREMENT	3 PHASE 480 V, 60 Hz	3 PHASE, 380 V 50 Hz	3 PHASE, 240V, 50 Hz
FULL LOAD / INRUSH CURRENT	59.2 A / 213 A	74.8 A / 269 A	118 A / 426 A
MAXIMUM OPERATING PRESSURE	4200 PSI / 290 BAR		
MAXIMUM MOTOR OUTPUT	50 HP		
MAXIMUM HYDRAULIC FLOW	47 GPM / 178 LPM		
HYDRALUIC RESERVOIR CAPACITY	90 GALLON / 341 L		
OIL REQUIREMENT	AW-68		
SPECIAL FEATURES	11 BANK VALVE		



**REVISIONS**

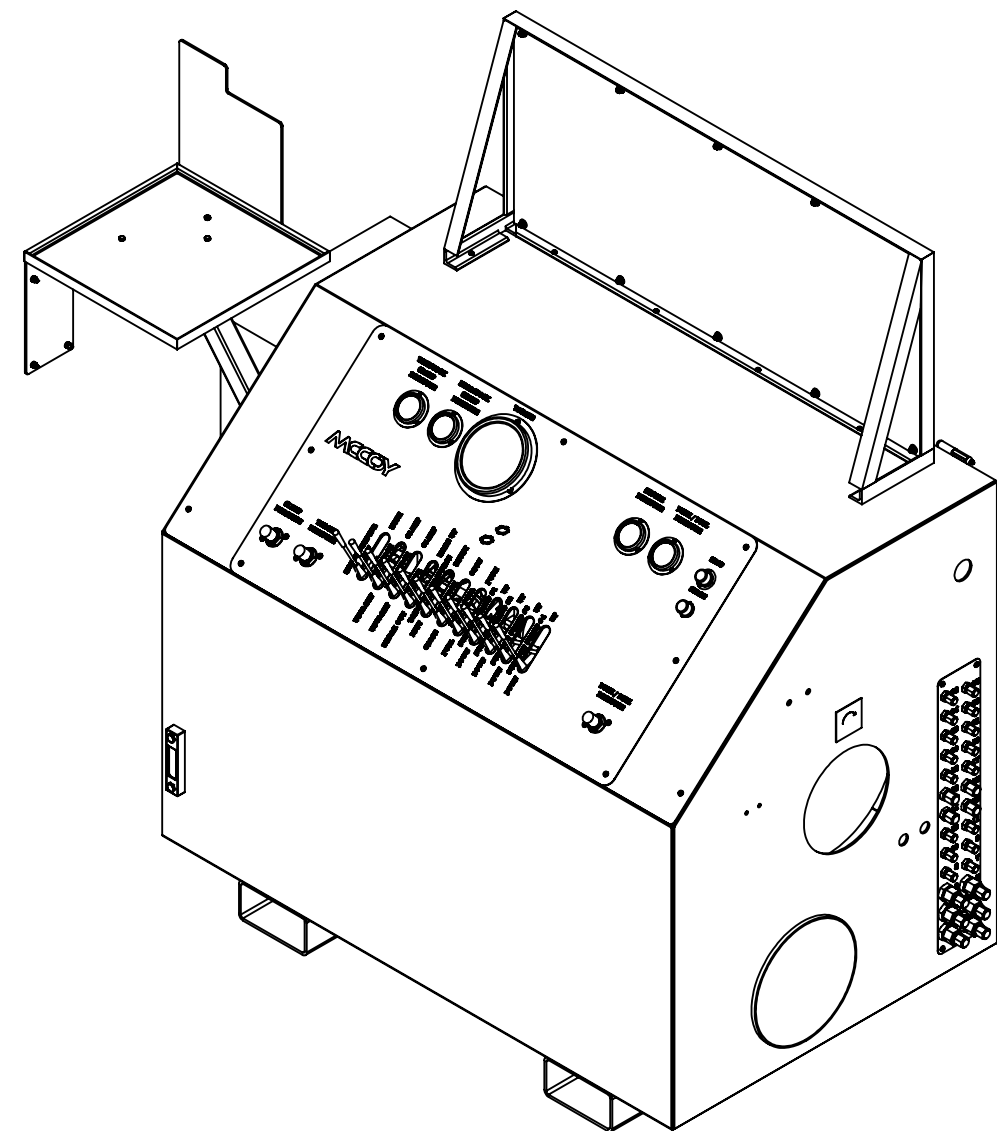
REVISION	ECN NUMBER	ECN DESCRIPTION	ECN COMPLETED BY	ECN COMPLETED DATE
A	N/A	INITIAL RELEASE	N/A	N/A
B	17-0101	ADDED GA SPECIFICATION SHEET; REPLACE (1) RPVBADPM W/ (1) RPVBADPM-S	M.BUDDEN	5/16/2017

UNLESS OTHERWISE SPECIFIED:		<b>PROPRIETARY STATEMENT</b> THIS DOCUMENT IS THE PROPERTY OF MCCOY CORPORATION AND IS CONSIDERED CONFIDENTIAL. THIS INFORMATION MAY NOT BE USED, DISCLOSED, COPIED, OR REPRODUCED IN ANY FORM, WITHOUT THE EXPRESS WRITTEN CONSENT OF MCCOY CORPORATION.			
1. DIMENSIONS ARE IN INCHES 2. TOLERANCES: ANGULAR ± 1° FRACTIONAL ± 1/16 TWO PLACE DECIMAL ± 0.02 THREE PLACE DECIMAL ± 0.005 3. IDENTIFY P/N & MAIL P.O. USING 1/8 TO 1/4 ETCHED LETTERS; DENOTED BY "X" 4. REMOVE BURRS & SHARP EDGES WITH 1/64x45° MAX 5. MACHINED FILET RADI SHALL BE 1/32 6. FINAL SURFACE ROUGHNESS AVG. (Ra) SHALL BE ≤ 250 MICROINCHES 7. SHALL BE CRITICAL DIMENSION: 100% INSPECTION REQUIRED 8. A TRIANGLE DENOTES A REVISION 9. INTERPRET DRAWING PER ASME Y14.5-2009		DESCRIPTION ASSEMBLY, POWER UNIT / CONSOLE, 11 BANK			
DRAWN	R.CENAC	08/07/2015	SIZE PART NO.		REV B
CHECKED	J.KELLY		B RP5047-7005		
APPROVED	J.KELLY		MATERIAL		
THIRD ANGLE PROJECTION		WEIGHT 3231 LBS.		N/A	

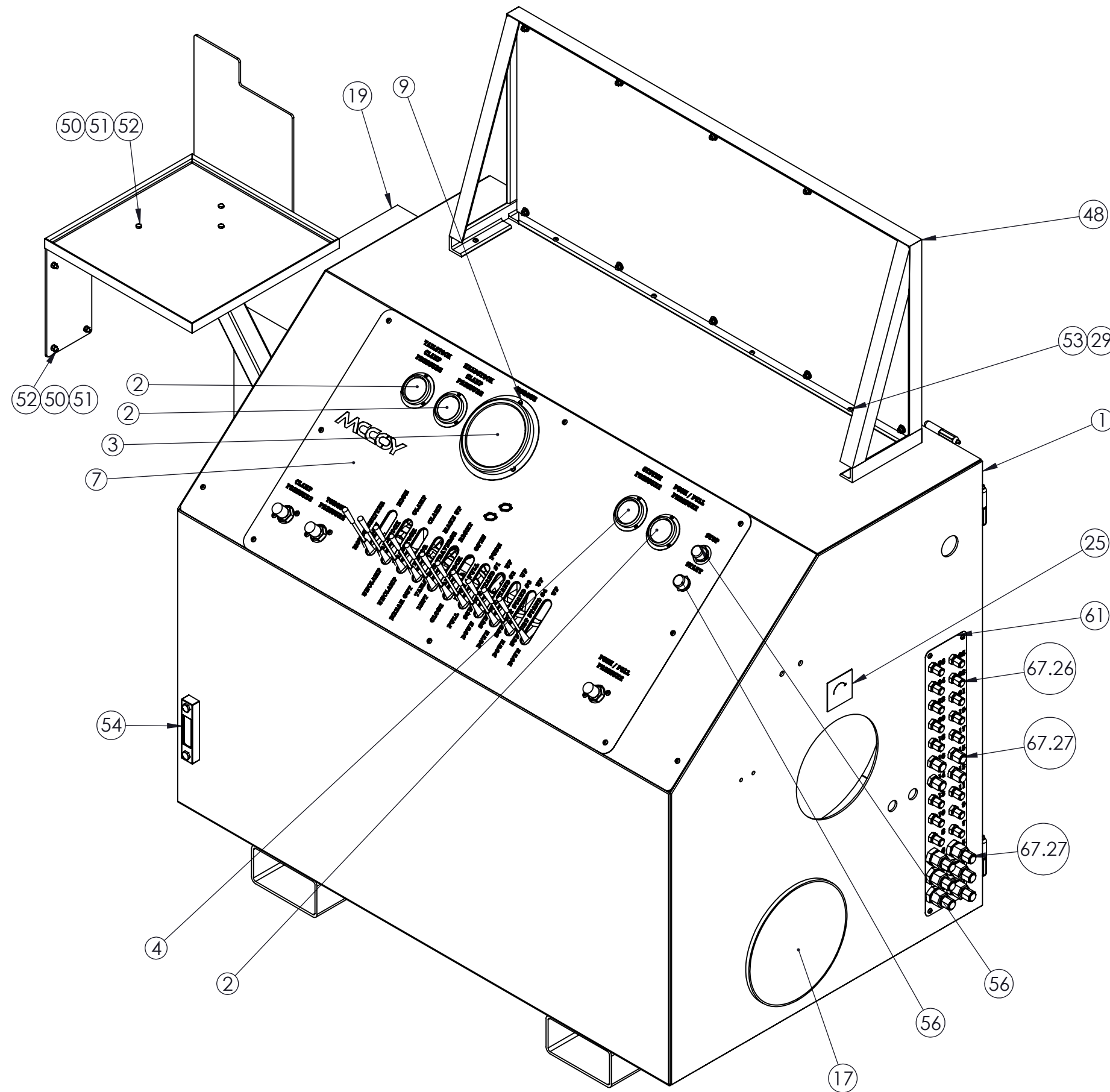
RELEASED FOR PRODUCTION

ITEM	QTY	P/N	DESCRIPTION
1	1	100-6500-7	WELDMENT, CONSOLE, HPU
2	3	133-6500	2-1/2" 0-3000 PSI GAUGE
3	1	134-6500	6" 0-5000 PSI GAUGE
4	1	135-6500	2-1/2" 0-5000 PSI GAUGE
5	12	1150-A01	NUT, 6-32, STAINLESS STEEL
6	12	1150-C01	#6-32 X 1 1/2" STAINLESS STEEL BOLT
7	1	7000-11	OVERLAY, BANK
8	1	CLEBU1210-03	WELDMENT, TRAY, COMPUTER
9	3	CRSS20033	SCREW, MACHINE, 10-32, 1, STAINLESS STEEL
10	3	CRSS20045	NUT, 10-32
11	1	D2375	ROD WIPER 2 3/8"ID 2 7/8"OD 3/8"HGT. 1/4"BASE THK.
12	1	EBWOO 1R3004A20A120	3P 10A FEM RCPT
13	1	P563268	FILTER HEAD W/ 1 1/4" FNPT PORTS
14	1	PN32-10000	PIPE NIPPLE 2 IN X 10 IN LONG
15	1	RPDV5047-3501	DUMP VALVE ASSEMBLY
16	3	RPVBADPM-S	ASSEMBLY, RELIEF VALVE
17	2	SEC-12	COVER, CLEANOUT
18	24	SST-08	SCREW, BUTTON HEAD, 1/4-20/ 3/4
19	1	RP575-A202010LP	ENCLOSURE, ELECTRICAL, 575V INCLUDES CONTACTOR, 120V GFI REC
20	2	1404	FITTING, 3/4 MNPT, 3/4 MNPT, 8, STRAIGHT, SCH80
21	1	PU4060-S33	SWITCH, FLOAT, 1/4 MNPT
22	8	1048	SCREW, HEX, 3/8 - 16, 1 1/4, STEEL, GR8
23	16	1025	WASHER, FLAT, 3/8, STEEL, GR 8
24	8	213	NUT, NYLOCK, 3/8-16, GR8
25	1	RPTAG1	CLOCKWISE ROTATIONAL STICKER
26	2	173-6500	TUBE, UPRIGHT
27	2	108	SCREW, HEX HEAD, 1/4-20, 1 3/4
28	2	212	NUT, NYLOCK, 1/4 - 20
29	14	1737	NUT, NYLOCK, 1/4-20 SS
30	1	PN20-7500	FITTING, 1 1/4 MNPT X 1 1/4 MNPT, 7.5 IN, STRAIGHT, SCH 80 (PIPE NIPPLE)
31	1	P165875	FILTER ELEMENT
32	1	RP04-200	2" SWING CHECK VALVE (FLAPPER VALVE)
33	1	LFT-134-2	GAUGE FILTER, 2 IN FACE 60 PSI, 125 NPT
34	1	PN2-0300	PIPE NIPPLE, .125 X 3 MNPT, SCH 80
35	1	PU2500-H6	Pump/ Motor Mounting Adapter SAE C 4 bolt x 7.62" long
36	1	7003638	HYDRAULIC PUMP 75cc, LS JRRO75C-LS-21-20-NN-N-3-S1N2 -A2N-NNN-NNN-NNN
37	1	PU2500-H18	SHAFT COUPLING, PUMP, 14T, 12/24 SPLINE, MfgNo : M500A1412C
38	1	570H	HYTREL INSERT (SPIDER)
39	1	PU4060-s6	MOTOR SHAFT COUPLING
40	1	2STRAINER	STRAINER, SUCTION, 2 FNPT
41	1	W43-32-32U	FLANGE KIT 2" FNPT
42	1	W43-16-16U	FLANGE KIT, 1 FNPT, CODE 61
43	4	202	SCREW, HEX, 5/8-11, 2 1/2, STEEL, GR8
44	8	195-A	FLATWASHER, 5/8
45	8	1151	LOCKWASHER, 5/8, STEEL, GR8
46	4	194	NUT, HEX, 5/8-11, STEEL, GR8
47	1	CVH05-0750N	3/4 CHECK VALVE
48	1	CBCS500	CONSOLE SHIELD ASSEMBLY
49	2	12002000	BAR, MOUNTING, HATCH COVER
50	7	100	NUT, HEX, 1/4-20, GR8
51	7	101	WASHER, LOCK, 1/4, GR8
52	7	104	SCREW, HEX, 1/4-20, 3/4
53	6	SST-18	SCREW, BUTTON HEAD, 1/4-20 X 1, STAINLESS
54	1	PU4060-S31	GUAGE, LEVEL / TEMPERATURE
55	1	PU4060-S30	FILLER CAP
56	1	KITRPEM-02	KIT, MOTOR, 50HP, 575VAC
57	1	KITFIT-RPEPU	ASSEMBLY, LEVEL SWITCH
58	1	108-6500-02	PVG 32 VALVE MOUNTING PLATE
59	1	RPV5047-7000	11 BANK PVG 32 VALVE
60	4	LSV1-61-N	VALVE, SHUTTLE
61	1	152-6500	COVER, BULKHEAD
62	4	214A	214A
63	4	124	SCREW, HEX HEAD, 5/16-18 X 1 1/2
64	8	119	5/16" FLATWASHER
65	4	123	SCREW, HEX HEAD, 5/16-18 X 1 1/4, GR8
66	4	1023-B	WASHER, LOCK, 5/16, GR8
67	1	KITFIT-RP5047-7000	FITTING KIT
67.1	2	4R6X-S	FITTING, 1/4 FJIC SWIVEL, 1/4 MJIC, RUN TEE
67.2	1	1394-A	2" STREET EL, LOW PRESSURE
67.3	1	1463	NIPPLE, HEX, 1 1/4"
67.4	2	1562	FITTING, 1/4 MNPT, 1/4 MJIC, STRAIGHT
67.5	1	1609-A	PLUG, FLUSH, 1/2
67.6	1	1610	FITTING, 3/4 MNPT, PLUG
67.7	1	1626	FITTING, 1/2 MNPT, 1/2 MJIC, ELBOW
67.8	1	2501-12-20	FITTING, 90 DEG, ELBOW, 1 1/4" MNPT X 3/4" MJIC
67.9	1	1467	ADAPTER, 3/4MNPT X 3/4MJIC, STRAIGHT
67.10	1	12G6X	FITTING, SWIVEL, 3/4 FNPT X 3/4 FJIC, STRAIGHT
67.11	1	1588	FITTING, 3/4 FNPT, 3/4 FNPT, ELBOW
67.12	1	1652-A	90 1/8" FNPT X 1/8" FNPT
67.13	1	1486-A	FITTING, O-RING, 1/4 x 1/4 MJIC, 90
67.14	1	1679	HEX NIPPLE, REDUCING, 1 MNPT X 3/4 MNPT
67.15	1	PN32-C	FITTING, 2 MNPT, 2 MNPT, CLOSE, STRAIGHT, SCH 40 PIPE NIPPLE

ITEM	QTY	P/N	DESCRIPTION
67.16	4	1725-A	FITTING, 3/8 MORB, 1/4 FNPT, STRAIGHT
67.17	4	RP6801-NWO-4-6	FITTING, 90 DEG, ELBOW, 1/4" MJIC X 3/8" MORB
67.18	14	6-10F5OX-S	FITTING, STRAIGHT, 3/8 MJIC, #10MSAE
67.19	2	8-10F5OX-S	FITTING, 1/2 MJIC, 5/8 MSAE (#10), STRAIGHT
67.20	4	2406-12-4	FITTING, REDUCER, 3/4" FJIC X 1/4" MJIC
67.21	8	6400-12-12-O	FITTING, 3/4" MORB X 3/4" MJIC, STRAIGHT
67.22	7	4-5 f50x-s	FITTING, 1/2 MSAE x 1/4 MJIC STRAIGHT
67.23	16	6WTX-WLN-S	FITTING, 3/8 MJIC, 3/8 MJIC, STRAIGHT, BULKHEAD
67.24	4	8WTX-WLN-S	FITTING, 1/2 MJIC, 1/2 MJIC, STRAIGHT, BULKHEAD
67.25	6	12-WTX-WLN-S	FITTING, BULKHEAD, 3/4 INCH MJIC X MJIC
67.26	16	1636	CAP, JIC, 3/8
67.27	10	1637	CAP, JIC, 1/2
67.28	6	12-8TRIXN-S	FITTING, ADAPTER, 3/4 FJIC, 1/2 MJIC, 2-PC DESIGN
67.29	5	4-4GTX	1/4" MJIC X 1/4" FNPT
67.30	1	8-10C5OX-S	FITTING, 5/8 MORB, 3/8 MJIC, 90 DEG
67.31	1	12CTX	FITTING, 3/4 MNPT, 3/4 MJIC
67.32	4	4-6F5OX-S	FITTING, 3/8 MORB, 1/4 MJIC, STRAIGHT
67.33	5	12R6X-S	FITTING, RUN TEE, 3/4" FJIC X 3/4" MJIC
67.34	4	6WFTX-S	FITTING, BULKHEAD, 3/8" MNPT X 3/8" MJIC
68	1	KITHOSE-3502	HOSE KIT, RP STYLE HPU/ CONTROL CONSOLE ASSY (CONTINUOUSLY ROTATING HEAD)

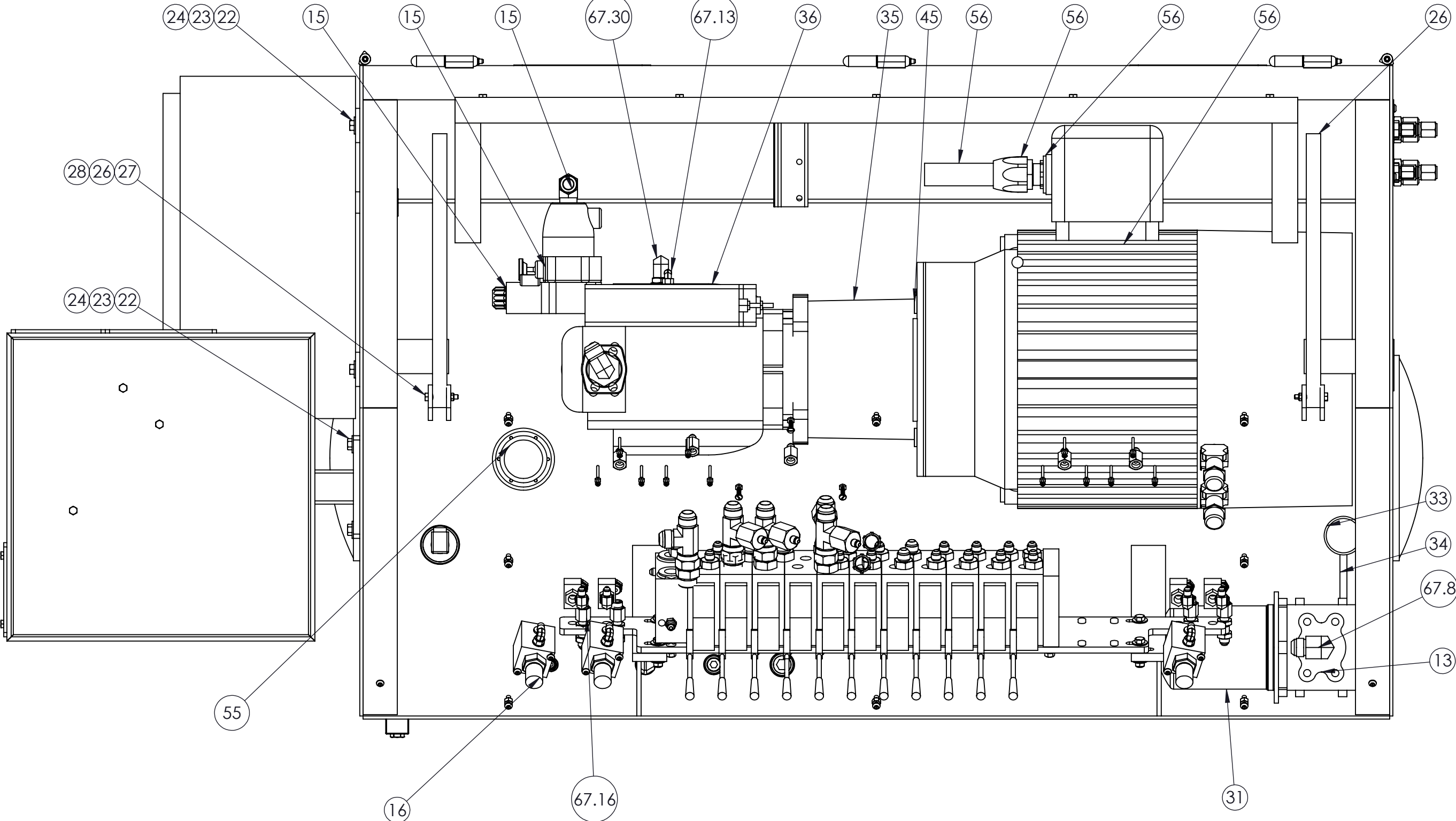


DESCRIPTION			
ASSEMBLY, POWER UNIT / CONSOLE, 11 BANK			
SIZE	PART NO.	REV	B
B	RP5047-7005		B
MATERIAL		SHEET 2 OF 7	
N/A			



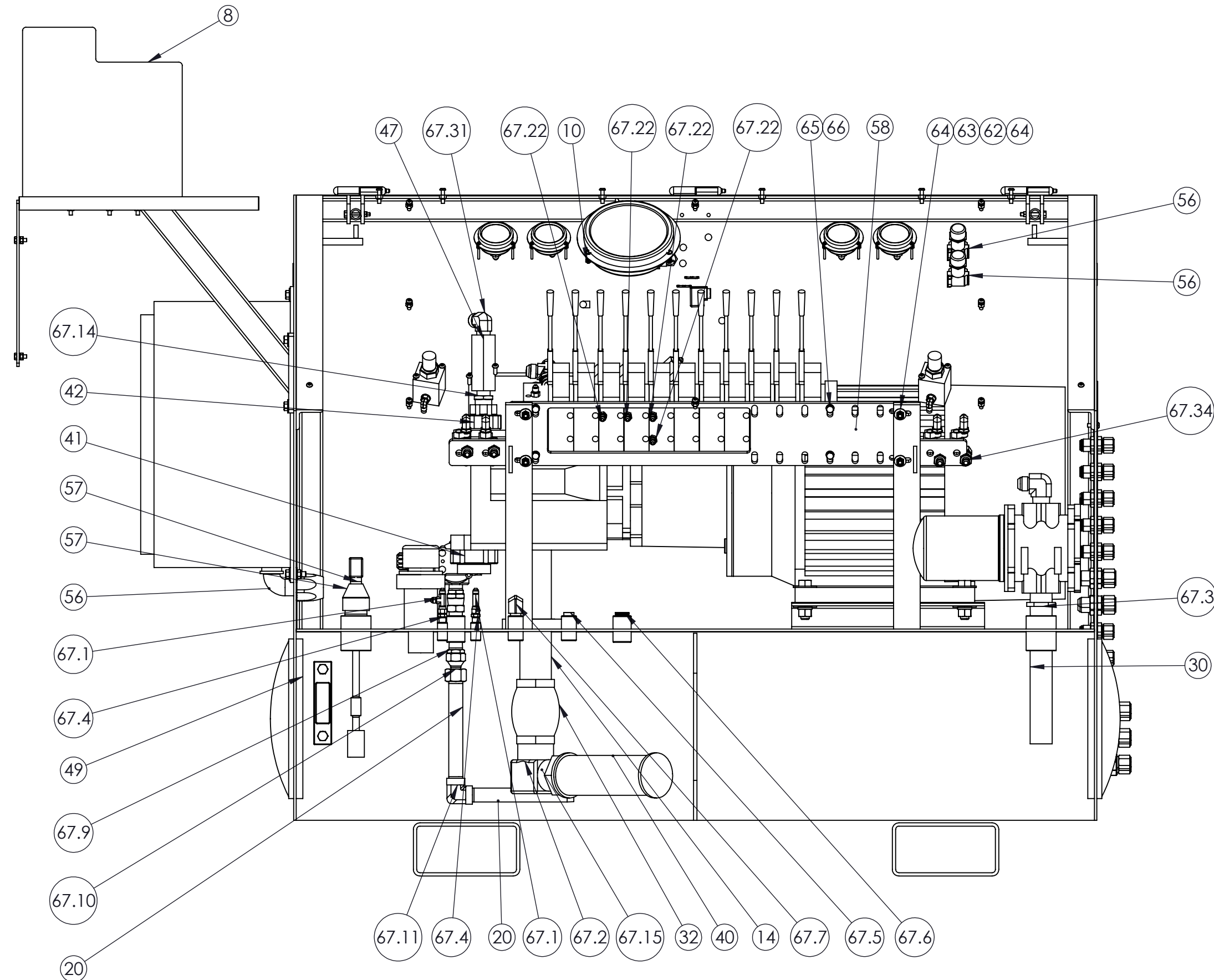
DESCRIPTION		
	ASSEMBLY, POWER UNIT / CONSOLE, 11 BANK	
SIZE	PART NO.	REV
B	RP5047-7005	B
MATERIAL	N/A	SHEET 3 OF 7

SHOWN WITHOUT MULTIPLE PARTS FOR CLARITY



DESCRIPTION		
	ASSEMBLY, POWER UNIT / CONSOLE, 11 BANK	
SIZE	PART NO.	REV
B	RP5047-7005	B
MATERIAL	N/A	SHEET 4 OF 7

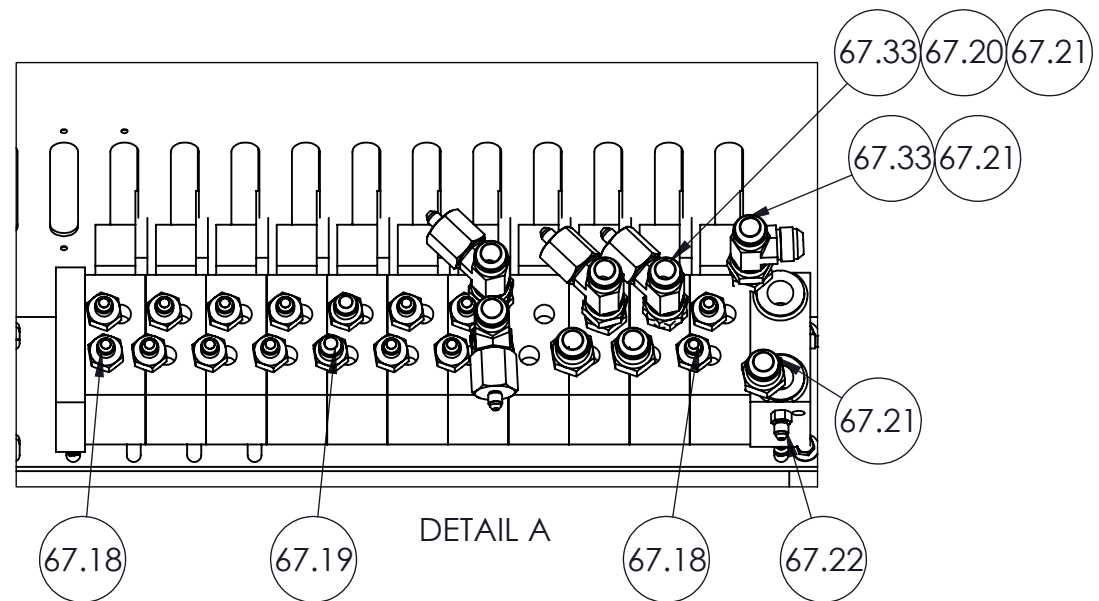
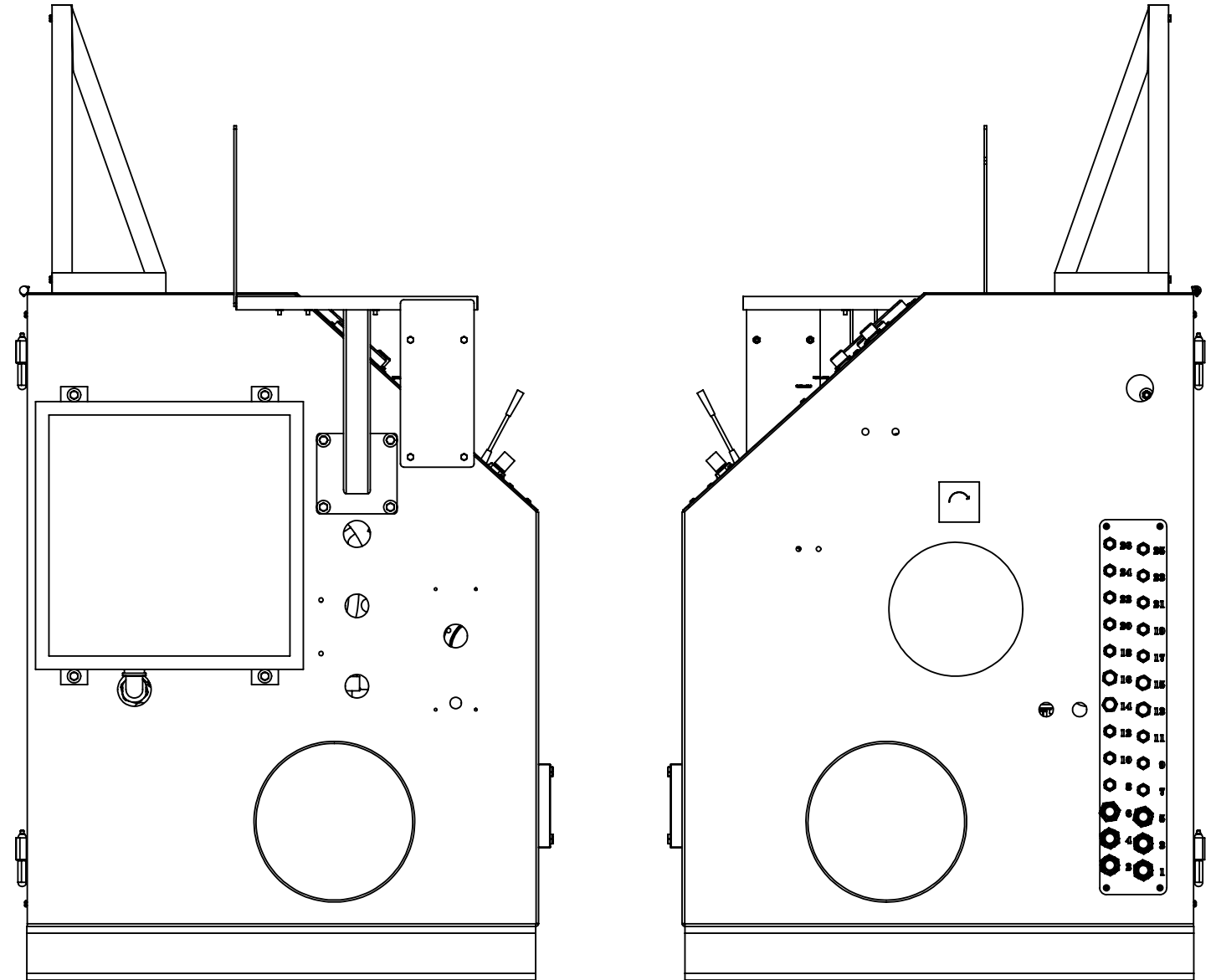
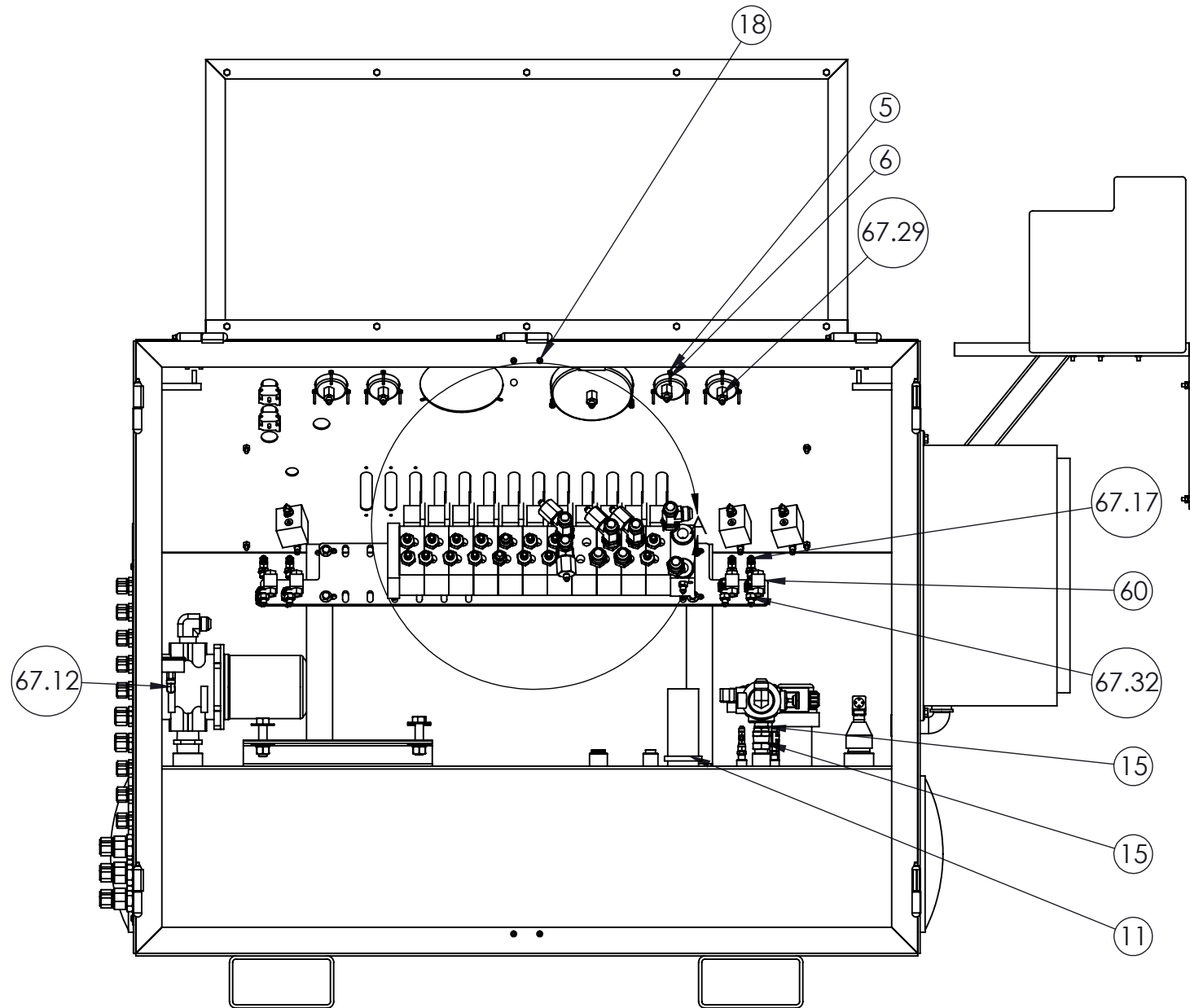
SHOWN WITHOUT MULTIPLE PARTS FOR CLARITY



DESCRIPTION			
ASSEMBLY, POWER UNIT / CONSOLE, 11 BANK			
SIZE	PART NO.	REV	
B	RP5047-7005	B	
MATERIAL		SHEET 5 OF 7	
N/A			

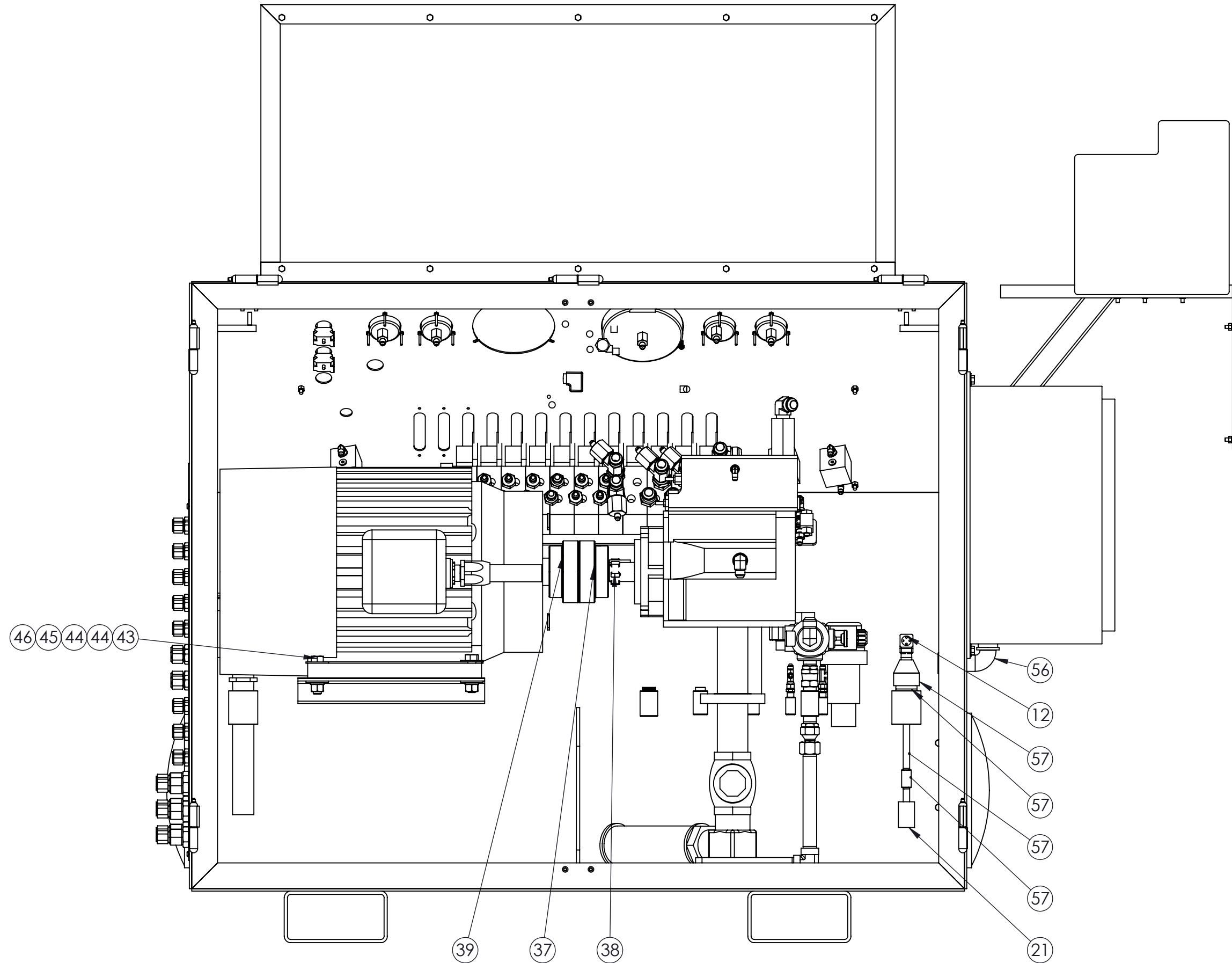



SHOWN WITHOUT MULTIPLE PARTS FOR CLARITY



DESCRIPTION		
	ASSEMBLY, POWER UNIT / CONSOLE, 11 BANK	
SIZE B	PART NO. RP5047-7005	REV B
MATERIAL	N/A	SHEET 6 OF 7

SHOWN WITHOUT MULTIPLE PARTS FOR CLARITY



DESCRIPTION		
	ASSEMBLY, POWER UNIT / CONSOLE, 11 BANK	
SIZE B	PART NO. RP5047-7005	REV B
MATERIAL	N/A	SHEET 7 OF 7