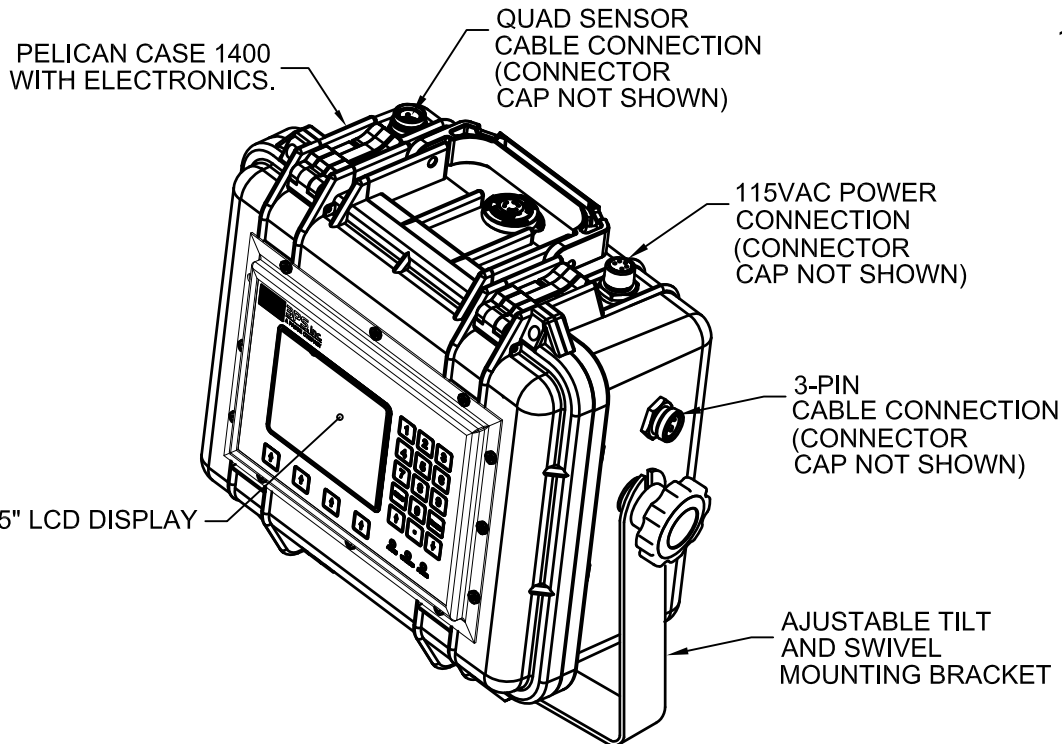
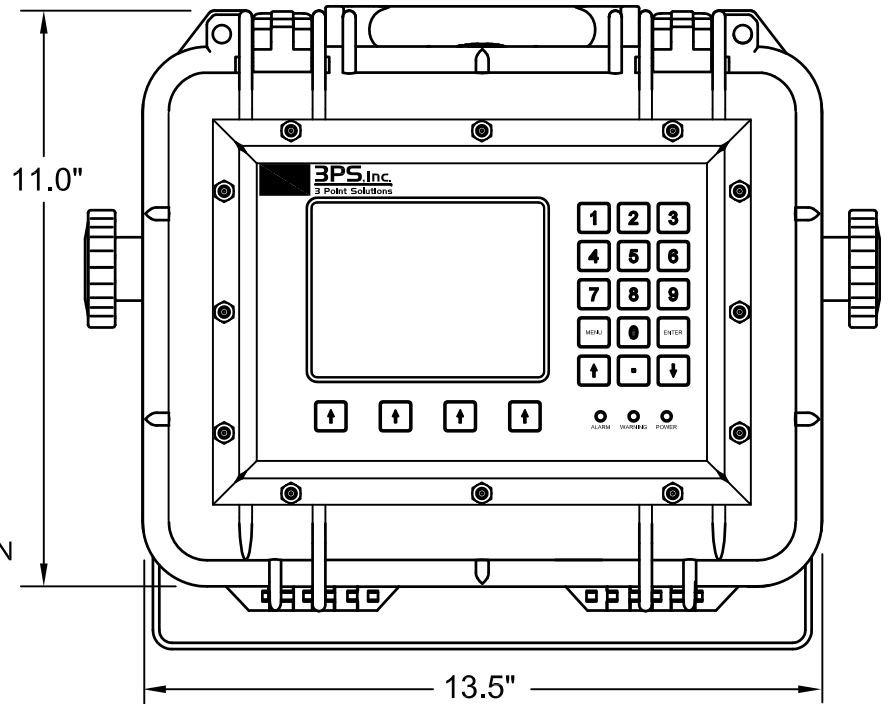
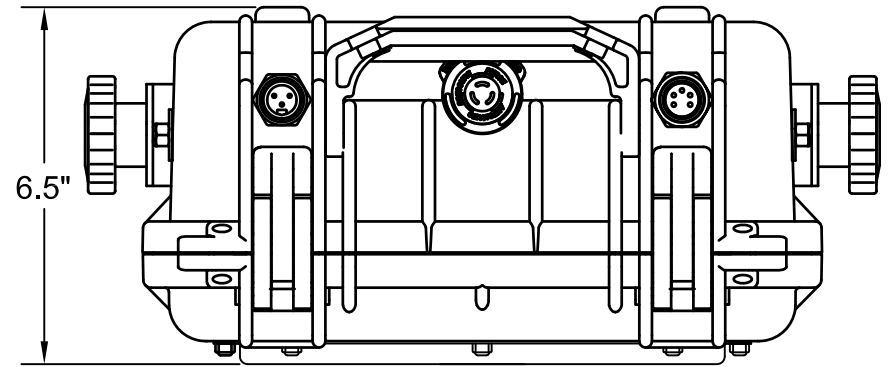


SPECIFICATIONS:

1. GENERAL:
 - 1.1 LCD DISPLAY: 5" DIAGONAL
 - 1.2 15 BUTTON NUMERIC KEYPAD
 - 1.3 4 BUTTON HOT KEYS
 - 1.4 POWER, ALARM AND WARNING LED
2. FEATURES:
 - 2.1 DESIGNED FOR MOBILE PRESSURE TESTING IN HARSH ENVIRONMENTS
 - 2.2 DATA AND ALARM LOGGING
3. CONNECTIONS:
 - 3.1 POWER: 115VAC
 - 3.2 QUAD SENSOR
4. CONSTRUCTION:
 - 4.1 HOUSING MATERIAL: PELICAN CASE 1400
 - 4.2 HARDWARE: STAINLESS STEEL
 - 4.3 LENS: 1/4" THICK POLYCARBONATE (LEXAN)
5. ENVIRONMENTAL:
 - 5.1 OPERATING TEMPERATURE: -40°C TO +85°C
 - 5.2 STORAGE TEMPERATURE: -40°C TO +85°C
 - 5.3 SEALING: NEMA 4X, IP67
6. ALL INTERCONNECT CABLES ARE PROVIDED.

REVISIONS				
ZONE	REV	DESCRIPTION	DATE	APPROVED
	A	Initial Release	12/04/15	R.C.



©2015 BY 3PS, INC. THIS DOCUMENT MAY NOT BE COPIED OR REPRODUCED IN ANY WAY WITHOUT THE WRITTEN CONSENT OF 3PS, INC. 3PS, INC. OWNS ALL RIGHTS TO THE WORK AND INTENDS TO ENFORCE ITS RIGHTS UNDER THE COPYRIGHT LAWS AS A PUBLISHED WORK.		UNLESS OTHERWISE SPECIFIED DIMENSIONS ARE IN INCHES TOLERANCES ARE: FRACTIONS ± 1/32 DECIMALS ± .01 ANGLES ± .5° .XX ± .01 .XXX ± .005		<h2 style="margin: 0;">3PS Inc.</h2>									
<table border="1"> <thead> <tr> <th>APPROVALS</th> <th>DATE</th> </tr> </thead> <tbody> <tr> <td>DRWN DP</td> <td>12/04/15</td> </tr> <tr> <td>CHEK RC</td> <td>12/04/15</td> </tr> <tr> <td>RELEA MA</td> <td>12/04/15</td> </tr> </tbody> </table>		APPROVALS	DATE	DRWN DP	12/04/15	CHEK RC	12/04/15	RELEA MA	12/04/15	MATERIAL N/A FINISH N/A		SPECIFICATION CONTROL DRAWING, PORTABLE SD50LT	
APPROVALS	DATE												
DRWN DP	12/04/15												
CHEK RC	12/04/15												
RELEA MA	12/04/15												
SIZE C		DWG NO. SD50LT-PDA12111-001-0		REV A									
SCALE —		FSCM NO. 1MHK2		SHEET 1 of 1									