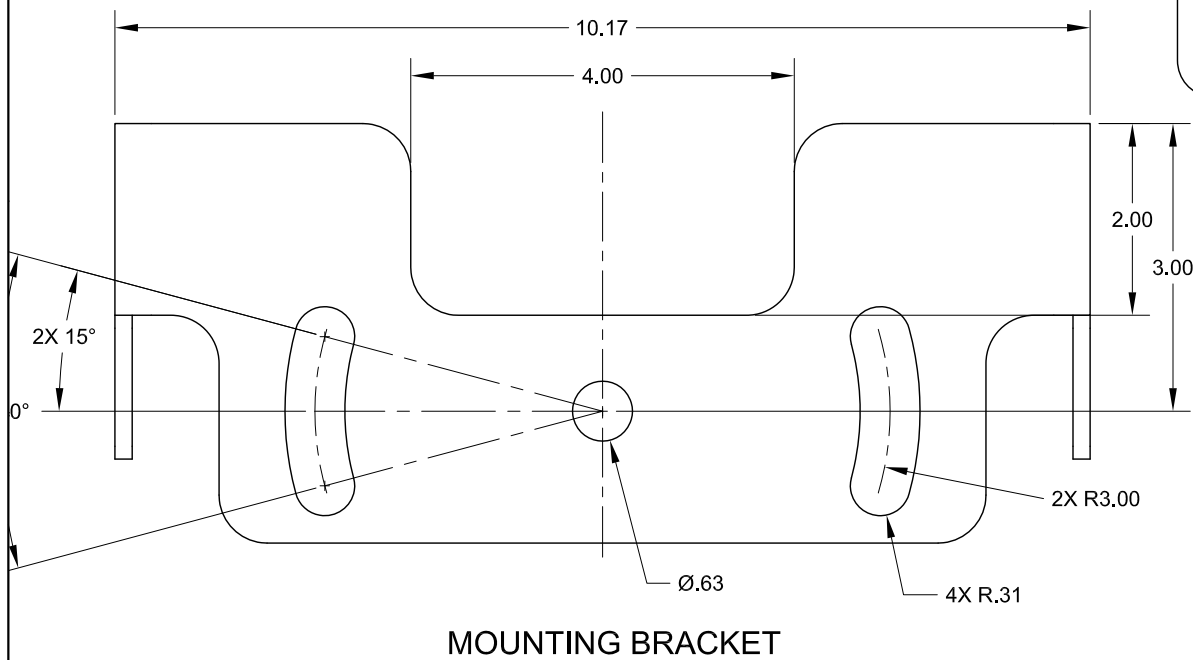
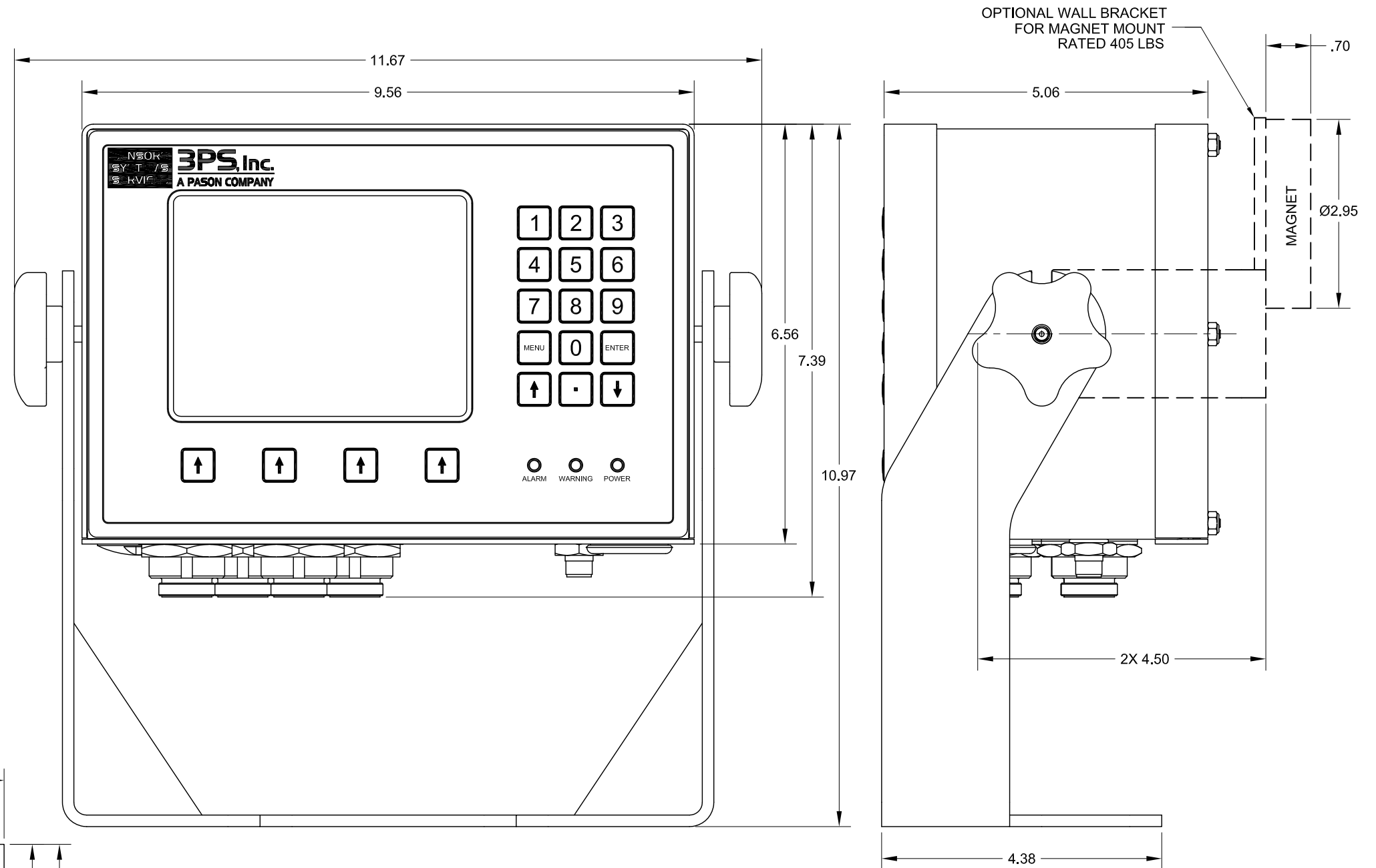


SPECIFICATIONS:

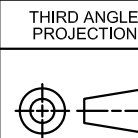
1. GENERAL:
  - 1.1 LCD DISPLAY: 5" DIAGONAL
  - 1.2 15 BUTTON NUMERIC KEYPAD
  - 1.3 4 BUTTON HOT KEYS
  - 1.4 POWER, ALARM AND WARNING LED
2. FEATURES:
  - 2.1 DESIGNED FOR GENERAL, CRANE AND WINCH LOAD MONITORING
  - 2.2 DATA AND ALARM LOGGING
  - 2.3 NO NEED FOR INTERNAL ACCESS
3. CONNECTIONS:
  - 3.1 POWER: 18-30 VDC, 120 VAC OPTIONAL
  - 3.2 RS485 DATA, FAULT PROTECTED
  - 3.3 CANBUS DATA, FAULT PROTECTED
  - 3.4 ETHERNET TCP/IP PORT
  - 3.5 USB PORT
4. CONSTRUCTION:
  - 4.1 HOUSING MATERIAL: STAINLESS STEEL
  - 4.2 HARDWARE: STAINLESS STEEL
  - 4.3 LENS: 1/4" THICK POLYCARBONATE (LEXAN)
5. ENVIRONMENTAL:
  - 5.1 OPERATING TEMPERATURE: -20°C TO +65°C
  - 5.2 STORAGE TEMPERATURE: -40°C TO +85°C
  - 5.3 SEALING: DESIGNED FOR NEMA 4X

REVISIONS			
REV	DESCRIPTION	APPROVED	DATE
A	INITIAL RELEASE	R CHISM	02/17/15



EXPORT COMPLIANCE: TRANSFER OF 3PS DATA (DOCUMENTS, SOFTWARE, DRAWINGS, SPECS, ETC) BY ANY MEANS TO A FOREIGN PERSON OR ENTITY, WHETHER IN THE UNITED STATES OR ABROAD, MAY REQUIRE U.S. GOVERNMENT AUTHORIZATION.

© 2015 BY 3PS, INC.  
 NOTICE: THE INFORMATION CONTAINED HEREIN IS CONFIDENTIAL AND PROPRIETARY INFORMATION, AND AS SUCH, CANNOT BE COPIED OR DISCLOSED TO OTHERS WITHOUT THE PRIOR WRITTEN CONSENT OF 3PS, INC.



TOLERANCES (UNLESS OTHERWISE SPECIFIED)	
HOLE:	+0.06 -0.01
DECIMAL: .XXX:	±0.05
DECIMAL: .XX:	±0.01
DECIMAL: .X:	±1
ANGLES:	±1°
SURFACE ROUGHNESS:	125/

REMOVE ALL BURRS.  
 BREAK SHARP EDGES  
 R.015 MAX. INSIDE  
 CORNER RADIUS .015 MAX.

DRAWN	P BROWN	02/17/15
CHECKED	R CHISM	02/17/15
RELEASED	R CHISM	02/17/15

UNLESS OTHERWISE SPECIFIED ALL DIMENSIONS ARE IN INCHES, MILLIMETERS IN BRACKETS.  
 DIMENSIONAL LIMITS APPLY AFTER FINISH/PLATING.

SPECIFICATION DETAIL DRAWING

1300 Arrow Point Dr.  
 Cedar Park, TX

TITLE			
DISPLAY, SD50LT			
SIZE	CAGE CODE	DRAWING NO	REV
D	1MHK2	SD50LT-XXXXX-XXX-0	A
SCALE	NONE	DO NOT SCALE DRAWING	SHEET 1 OF 1